



## USE & CARE GUIDE

### BLZ-26-PZOVN PIZZA OVEN (NG/LP)

#### **DANGER - IF YOU SMELL GAS:**

- 1) Shut off the gas supply to the appliance at its source.
- 2) Extinguish any open flames.
- 3) Open oven hood to release any accumulation of gas vapor.
- 4) If a gas odor persists, keep away from your appliance and contact your gas supplier or fire department immediately.

#### **WARNING**

- 1) Do not store or use gasoline or other flammable liquids or vapor in the vicinity of this or any other appliance
- 2) A LP cylinder not connected for use shall not be stored in the vicinity of this or any other appliances.

#### **ATTENTION:**

INSTALLER: PLEASE LEAVE THESE INSTRUCTIONS WITH THE CONSUMER.

CONSUMER: PLEASE READ & RETAIN THESE INSTRUCTIONS FOR FUTURE REFERENCE AND BEFORE INSTALLING OR OPERATING.

#### **- CONTACT INFORMATION -**

Blaze Outdoor Products:  
6620 Greenwell Springs Rd, Baton Rouge, LA 70805  
Phone: 866-976-9510  
CustomerService@BlazeGrills.com  
BLAZEGRILLS.COM



# Table of Contents

|       |  |         |
|-------|--|---------|
| I.    | Oven Specifications                                  | 4-5     |
| II.   | Unpacking Unit - <b>Please read before unpacking</b> | 5       |
| III.  | General Safety and Installation Warnings             | 6 - 12  |
|       | i. Location of Appliance                             | 11 - 12 |
| IV.   | Electrical Safety and Installation Warnings          | 12- 13  |
| V.    | Gas Safety and Installation Warnings                 | 13- 16  |
|       | i. Gas Leak Warnings                                 | 15      |
|       | ii. Checking for Gas Leaks                           | 15 - 16 |
| VI.   | Gas Connections                                      | 17 - 19 |
|       | i. Natural Gas Requirements                          | 17      |
|       | ii. Liquid Propane Gas and Tank Requirements         | 17      |
|       | iii. Transporting and Storing LP Gas                 | 18 - 19 |
| VII.  | Installing the Appliance in a BBQ Island             | 20 - 23 |
|       | i. Outdoor Kitchen Ventilation                       | 21      |
|       | ii. Building BBQ Specifications and Instruction      | 22      |
|       | iii. Installation Diagrams                           | 23      |
| VIII. | First Time Operation                                 | 24 - 29 |
|       | i. Powering the unit and using digital display       | 24 - 25 |
|       | ii. Lighting the Appliance                           | 25      |
|       | iii. Manually Lighting the Main Burner               | 26 - 27 |
|       | iv. Flame Adjustment                                 | 27 - 28 |
|       | v. Pizza Stone Turnable and Rotisserie Instructions  | 28      |
|       | vi. Using the Rotisserie                             | 29      |
|       | vii. Using the Rear Burner                           | 29      |

|  |         |
|--|---------|
| IX. Cleaning your Appliance                  | 30      |
| X. Fuel Conversion                           | 31 - 33 |
| i. Convertible Gas Regulator (if applicable) | 32      |
| XI. Warranty Registration                    | 34 - 35 |
| <i>i. WARRANTY ON PARTS:</i>                 | 35      |

---

# I. Oven Specifications

**Model: BLZ- PIZZA OVEN - LP**

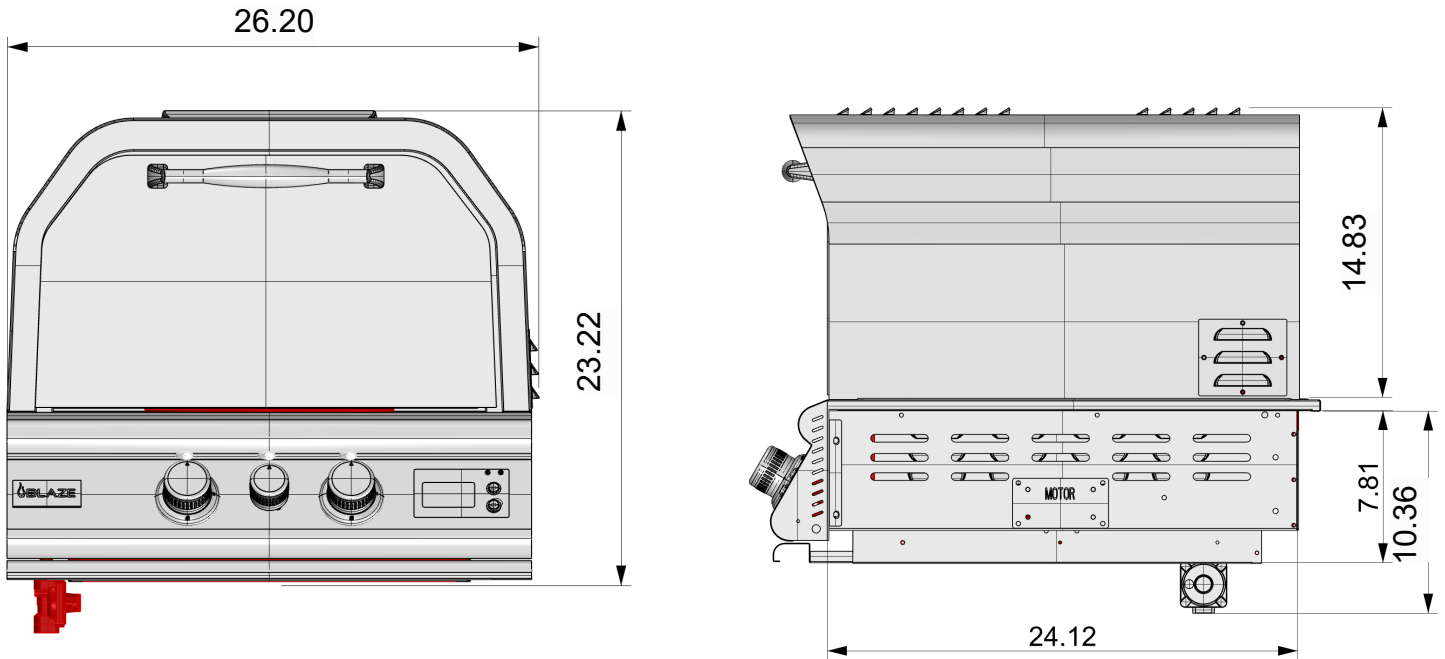


|                               |   |
|-------------------------------|---|
| Cutout Dimensions             | 24 2/5" W x 24 1/5" D x 8" H*<br>*These dimensions create the required air gap underneath this appliance. This air gap serves multiple purposes, such as preventing a build-up of heat in the island cavity and helping provide proper airflow for combustion and/or cabinetry.   |
| BTU Output                    | 8,000 BTU per Burner x 2  |
| Back Burner                   | 8,500 BTU   |
| Total BTU                     | 24,500 BTU  |
| Primary Ignition              | Push N' Turn Flame Thrower  |
| Secondary Ignition            | Ignitor Rod   |
| Cooking Grid Dimensions       | 20 1/2" D x 16 4/5" W (2 grids)   |
| Total Cooking Area            | 688 sq.in   |
| Flame Tamer                   | None  |
| Zone Cooking                  | None  |
| Rotisserie Kit (Tray & Forks) | Included  |
| Burner                        | Stainless Steel Tube Burner   |
| Gas Type                      | Each oven contains an NG/ LP Orifice Kit  |
| Warranty                      | *Limited Lifetime – Defects in manufacturing and workmanship. Cooking grids, Flame Tamers, Heat Zone Separators, stainless housing as well as the stainless burners against rust- through.<br>*Limited Lifetime on valves<br>*1 Year – Ignition, electronics and lighting systems<br>*Appliances must be registered within 30 days of purchase to validate this warranty.<br>*See warranty section for details. |

# SPECIFICATIONS

**NOTE: ALWAYS have equipment measured by Contractor before beginning any project.**

*\*These dimensions create the required air gap underneath this appliance. This air gap serves multiple purposes, such as preventing a build-up of heat in the island cavity and helping provide proper airflow for combustion and/or cabinetry.*



## II. Unpacking Unit

**Product Inspection:** A final inspection of your product occurs at the factory to ensure a quality product is packaged. Please re-check for possible shipping damage immediately after unpacking your oven. If the appliance is found to have some damage, contact your dealer immediately as often the shipping carrier will have a timeframe to report damage. Please also save the packaging material the product came with as that is at times inspected by the shipping carrier.

**Caution:** Do not leave the unit under the sun with the protective film on for a long period of time as it will make the film difficult to remove and/or leave markings on the materials which are not covered by the warranty.

Your Blaze Series Appliance comes pre-assembled and requires very little setup. We do however; recommend the use of professional help during the installation of your unit as improper installation may affect your warranty. Remove the unit from the box along with all accessories and check that no damage has occurred to the unit or any parts. Remove all packaging materials, labels and protective plastic film before you start cooking.

**Burners:** Check the burner tubes and remove any obstructions that may be in the ports or holes. Using cold water and a brush will be sufficient. Make sure all foreign particles are removed from the burner before use. Make sure the air shutter on the burners is slightly opened (to about 1/8" for NG and 1/4" for LP). When finished ensure that the burners are aligned with the valve orifice and seated in the bracket slot. This is accomplished by first placing the burner tube shutter hole securely over the valve orifice and ensuring the male post on the burner rests in the corresponding slot in the rear of the oven chassis.

### III. General Safety and Installation Warnings



## WARNING



Please read this manual carefully and before using your BLAZE OVEN to ensure proper operation, installation, servicing and to reduce the risk of fire, burn hazard and or other injury. This manual should be retained for your information

**NOTE:**

Improper installation and service or maintenance may cause property damage, injury or death. Do not operate this appliance without having read this manual. All gas installations and gas conversions must be performed by a qualified technician or authorized service agent.

**NOTE: This appliance is not intended for commercial use.**



FOR YOUR SAFETY  
***If you smell gas:***



- 1. Shut off gas to the appliance.**
- 2. Extinguish any open flame.**
- 3. If odor continues, immediately call your gas supplier or your fire department.**



## WARNING



Safe operation of the BLAZE OVEN depends upon its proper installation. Only a qualified professional installer and service technician must perform adjustments and service of the oven. Proper location and proper use are essential to insure safe and continued trouble-free operation. Any non-approved alterations made to the appliance will void the product's warranty.

**NOTE: The manufacturer cannot be held responsible for damage or injury caused by improper use of this appliance.**

***When using your Blaze appliance, please read and follow these basic precautions:***



# WARNING



*To reduce the risk of fire, electric shock, or injury, read and follow these basic precautions before installing/operating your appliance*

## APPLIANCE INSTALLATION

**This gas appliance must be installed in accordance with all local codes.**

If installation is planned in an area with no local codes, the gas appliance must be installed in accord with the National Fuel Gas Code ANSI Z223.1 and storage and handling of liquefied petroleum gases, ANSI/NFPA 58 or CSA B149.1 natural gas and propane installation code.



## CALIFORNIA PROPOSITION 65

# WARNING

WARNING: This product can expose you to chemicals including Chromium (hexavalent compounds), which are known to the State of California to cause cancer and birth defects or other reproductive harm.  
For more information go to: [www.p65Warnings.ca.gov](http://www.p65Warnings.ca.gov)



# WARNING



Improper installation, adjustment, alteration, service or maintenance can cause injury or property damage. Read the installation, operating and maintenance instructions thoroughly before installing or servicing this equipment.



# WARNING



## EXPLOSION HAZARD

Do not use the appliance as storage area for flammable materials. Keep area clear and free from combustible materials, gasoline, and other flammable vapors and liquids. Failure to do so can result in death, explosion, or injury.

In Massachusetts: All gas products must be installed using a "Massachusetts" licensed plumber or gasfitter. A "T" handle type manual gas valve must be installed in the gas supply line to this appliance. This applies to permanently installed natural gas and propane installations. This does not apply to propane portable installations using a 20-pound tank.

***Have an ABC Fire Extinguisher accessible at all times.***

***Never attempt to extinguish a grease fire with water or other liquids.***

***IMPORTANT: Consult the AHJ (Authority Having Jurisdiction) or local contractor of any uncertainty.***



# WARNING



***This unit is for outdoor use only!***

Do not operate in a building, garage or any other enclosed areas. This could result in carbon monoxide buildup which could result in injury or death. Ovens are not designed or intended for installation near a window or vent that goes into the house.

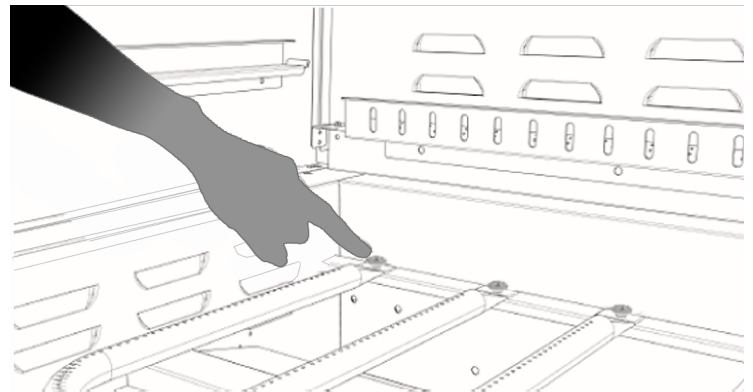
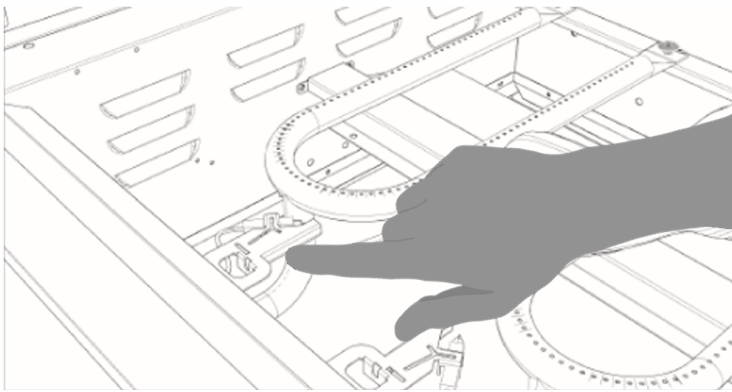


# WARNING

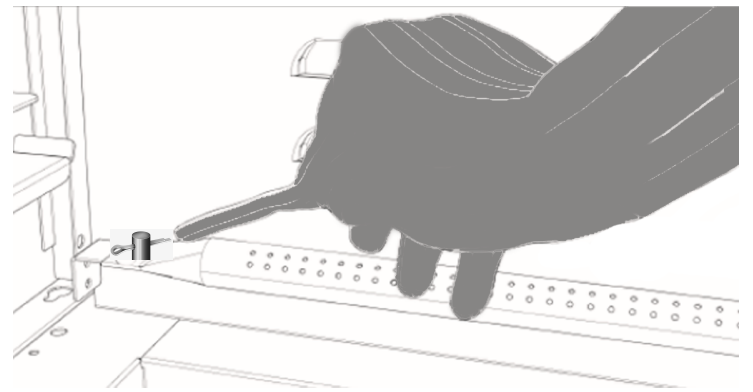
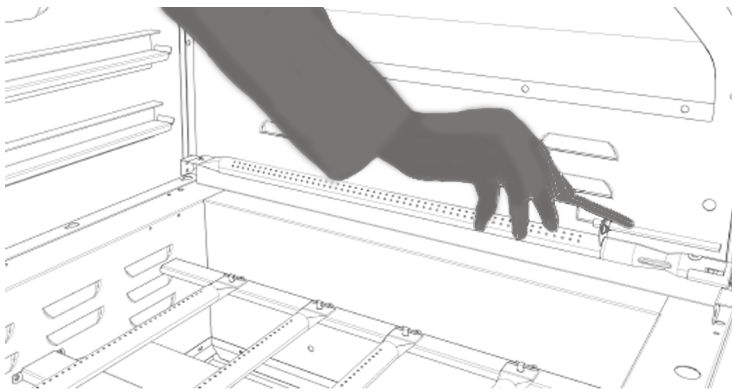


For proper operation, burners must be aligned with the valve orifice and seated in the bracket slot. This is accomplished by first placing the burner tube shutter hole securely over the valve orifice and ensuring the male post on the rear of the burner rests in the opening in the oven chassis. Failure to do so could result in a fire and injury.

**LOWER " U" burner tube shutter hole and on the rear of the burner inside view**



**BACK burner tube shutter hole and male post on the rear of the burner inside view**



# WARNING



***Ensure burners are properly seated on valve seat and burner mounting screws are securely mounted in place. For the rear burner ensure the burner is properly seated on the male post and the cotter pin is securely fastened***

***Failure to do so could result in a fire and injury.***





# WARNING



## BEWARE OF SPIDERS

### **CAUTION: BURNER TUBES MUST BE INSPECTED AND CLEANED BEFORE EACH USE.**

Spiders and small insects occasionally spin webs or make nests in the burner tubes. These webs can lead to a gas flow obstruction, which could result in a fire in and around the burner tubes. This type of fire is known as "FLASH-BACK" and can cause serious damage to your appliance and create an unsafe operating condition for the user. Although an obstructed burner tube is not the only cause of "FLASH-BACK" it is the most common cause, and frequent inspection and cleaning of the burner tubes is necessary.

### **FOR YOUR SAFETY**

1. Do not store or use gasoline or other flammable vapors and liquids in the vicinity of this or any other appliance.
2. Do not store any propane/butane (G31-G30) cylinder (that is not connected for use) in the vicinity of this or any other appliance.

**NOTE: Check with City and Fire department for Local Building Codes.  
Permit may be required for outdoor kitchen**



# WARNING



**Do not attempt to heat unopened containers on the oven as pressure may build up and cause the container to explode.**

**Never use charcoal or any other solid fuel in the oven.**

**Never cook without the drip pan in place.**

**Never operate this oven while under the influence of alcohol or drugs.**

**Please read all instructions before installing or operating your gas appliance to prevent injury and appliance damage.**

- **All gas appliances will get hot during use.** Use extreme caution when operating the appliance.
- Do not touch hot surfaces. Always use the handle to open or close the appliance.
- Close supervision is necessary when this or any appliance is used near children. Keep children away from the appliance during operation and until the appliance has cooled off.
- Do not store any LP cylinder or tank not connected for use with the appliance, in the area of this appliance or any other appliance. Never store an LP cylinder or tank indoors, or within the reach of children
- Never test the appliance for gas leaks using a lighted match or any other open flame; see leak test procedures using soap/water solutions – see section on Leak Testing
- The use of accessories, regulators, or components not recommended by the appliance manufacturer may cause injuries and will void warranty.
- Never light the appliance with the door closed and be certain that the burners are positioned and seated over the gas valves and on the burner support.
- Never lean over the cooking surface when lighting or operating the appliance.
- Use cooking utensils with wood handles and insulated oven mitts when operating the appliance.
- Do not store anything in the appliance. Make sure food is not forgotten in the appliance; forgotten items could melt or catch fire when the appliance is turned on.
- To prevent injuries, do not use accessories that are not recommended by the manufacturer.
- Before cleaning the appliance, disconnect power cord.
- Never use the appliance in windy conditions. If located in a consistently windy area (oceanfront, mountaintop, etc.) a wind break will be required. Winds blowing into or across the upper hood vent or into door, can cause poor performance and / or cause the control panel and knobs to get dangerously hot.
- Always open the appliance door carefully, using only the handle - the door may be hot.
- Children should not be left alone or unattended in an area where any appliance is in use. They should never be allowed to touch, sit or stand on any part of the appliance.
- Do not store items of interest to children in cabinets above the appliance or in the appliance. Children climbing on the appliance to reach these items could be seriously injured.
- Wear proper clothing when operating this appliance. Loose-fitting or hanging garments should never be worn while using the appliance.
- Do not leave the appliance unattended while in use.
- Do not use water on grease fires! A violent steam explosion may result. Instead, smother the fire with a multipurpose ABC extinguisher.

## i. Location of Appliance

***Most importantly, this is an outdoor appliance. Ensure your appliance is positioned safely away from anything that can catch fire.***

***Under no circumstance is this appliance to be used indoors. This includes garages or any other enclosed area.***

***This outdoor cooking gas appliance is not approved to be installed in or on any recreational vehicles and / or boats. Blaze appliances are for single family/residential use only.***

- When determining a suitable location take into account concerns such as exposure to wind, proximity to traffic paths and keeping any gas supply lines as short as possible. Do not store combustible materials, gasoline or flammable liquids or vapors around the appliance.
- This Blaze oven must be located **outdoors only**. As with any gas appliance, harmful carbon monoxide is produced during the combustion process that should not be allowed to accumulate in a confined space. Please note since hot air rises above the Blaze oven while in operation, covered locations should be avoided. Do not locate the Blaze oven where an overhang or awning may cover it.
- **DO NOT** obstruct the flow of combustion and ventilation air to this appliance.
- Keep any electrical supply cords and fuel supply hoses away from any heated surfaces and/or sharp, aggressive edges.

### ***Non-Combustible Enclosure:***

The Blaze oven must be installed in a ***NON-COMBUSTIBLE ENCLOSURE ONLY***. The determination of whether a location is combustible or non-combustible construction is made by the local fire marshal, building inspector or the local safety authority having jurisdiction.

- ***Clearance from Combustibles:*** Ensure your appliance remains at a distance of at least 14" from sides and 5" from back from any combustible material such as wood, gyprock, paper and plants. Do not store combustible materials, gasoline or flammable liquids or vapors around the appliance. The outdoor kitchen structure itself should be constructed completely out of non-combustible materials.
- ***Adequate Ventilation:*** Ensure there is adequate ventilation for both the appliance, oven cart and/or island cavity. This is required not only for proper combustion, but also to prevent gas build up. While the amount of venting required varies on a case by case basis, consult with your local licensed professional and local code for adequate venting requirements. Keep the ventilation openings of the enclosure free and clear from any debris.
- ***Firm Level Surface:*** Use your appliance only on a firm level surface. This appliance is not designed for recreational vehicles, and should not be installed on a boat or marine craft.
- ***Protection from Weather:*** Keep the appliance protected from adverse weather, including rain and winds. Wind, particularly coming into the rear of the oven, can affect the exhaust from escaping from the oven. This can back up the heat behind the control panel potentially creating a gas leak, damage to the product, and injury.
- ***Maintenance Access:*** When your appliance is installed, you should be able to access the gas supply line including the gas piping or hose, gas regulator, gas cylinder and any shut off valves. Allow clear access to the entire gas supply hose and regulator.

- **Partial Enclosures:** Many backyards have areas that are partially closed off, such as balconies and pergolas. In some cases, it is hard to decide whether these partially enclosed areas should be classified as indoor areas, particularly in terms of permanent (non-closable) ventilation. Consult the AHJ (Authority Having Jurisdiction) or local contractor of any uncertainty. This outdoor cooking gas appliance shall not be located in an indoor application.
  
- **When installing a Blaze Appliance under an overhead construction:**
  - A minimum 6 foot of clearance is required between the countertop and the overhead construction.
  - When installed under a combustible overhead construction, the area above the Blaze appliance must be covered with a vent hood. The vent hood must provide protection for the combustible overhead construction.
  - It is imperative a Blaze appliance is not installed under unprotected combustible overhead construction.
  - When installed under overhead non-combustible construction, a vent hood is still recommended. Gas appliances produce a large amount of smoke. The covered area should be properly ventilated.
  - When using a vent hood, the area above the cooking surface of the oven must be covered with a vent hood larger than the cooking area of the oven, and with a minimum of 1000 CFM for proper outdoor application.

## **IV. Electrical Safety and Installation Warnings**

---

***Extension cords may be used if care is exercised in their use. If an extension cord is used please follow the below guidelines:***

- The marked electrical rating of the cord set or extension cord should be at least as great as the electrical rating of the appliance.
- The cord should be arranged so that it will not touch hot surfaces, sharp edges or drape over the countertop or tabletop (where it can be pulled or tripped over unintentionally).
- Outdoor extension cords should be used with products suited for outdoor use. They are surface marked with suffix letters "W" or "W-A" and with a tag stating "Suitable for Use with Outdoor Appliances".
- To protect against electrical shock, the power cord and plug should be kept dry and off of the ground. Do not clean this product with water spray; do not spray cleaners into the lamp socket area.
- Gasoline, lighter fluid or other flammable liquids and vapors should never be stored in the area of this appliance or any other appliance.
- Before installation or service, disconnect the power supply to the work area by removing the fuse, "tripping" the circuit breaker, or unplugging the unit.
- **NOTE:** Use a 15 AMP Breaker with GFI protection.

**NOTE:** This oven uses a “Transformer” to provide power to the LED lights and internal lights. This diagram shows the connection to the transformer.



## ⚠ WARNING ⚠

*Keep any electrical supply cord and fuel supply hose away from any heated surfaces, sharp edges and dripping grease.*

*Be certain your appliance is properly installed and grounded by a qualified technician in accordance with applicable codes. To guarantee the electrical safety of this appliance, continuity must exist between the appliance and an effective grounding system. It is imperative that this basic safety requirement be met. The manufacturer cannot be held responsible for damages caused by the lack or inadequacy of an effective grounding system.*

*Do not operate any appliance with a damaged power cord or power plug, and do not operate any appliance after the appliance malfunctions or has been damaged in any manner. If this should occur, return the appliance to the nearest authorized service facility for examination, repair or adjustment.*

*This appliance conforms to all uniform electrical safety codes and electrical grounding regulations. Install unit according to I.A.W. local codes or with National Electrical Code ANSI/NFPA 70 or CSA C22.1 in their absence.*

## V. Gas Safety and Installation Warnings

- All gas connections should be made by a Professional qualified technician and in accordance with local codes and ordinances. The installation must conform with local codes or, in the absence of local codes, with either the national Fuel Gas Code, ANSI Z223.1/NFPA 54, or CAN/CGA-B149.1, Natural Gas Installation Code or CAN/CGA-B149.2, Propane Installation Code.
- Always check the Rating Plate to make sure the gas supply you are hooking up to is the gas type the appliance is manufactured for.
- Check the rating label on the left hand outside of the unit.



**RATING PLATE LOCATION**



# WARNING



- Do not twist the gas supply hose.
- Before each use, visually inspect the gas supply hose for cracks, cuts or excessive wear. Replace the hose if necessary. Check for gas leaks before each use.
- Gas Specifications: Be sure that the gas supplied to the appliance conforms to the model you purchased. A Natural Gas appliance requires natural gas to operate; an LP appliance requires liquid propane gas to operate.
- Never connect the appliance to an unregulated gas supply line. Appliances operated without a regulator are unsafe and will not be serviced until installed properly and safely. Unsafe operation without a gas regulator will void the warranty of the appliance.
- Appliances operated with NG (natural gas) gas must be installed with the NG regulator supplied with the unit and set to 4.0" water column pressure.
- Appliances operated with LP (liquid propane) gas must be installed with an LP regulator set to 11" water column pressure.
- Please contact your dealer and use a licensed contractor or installer to convert your appliance to the different gas type.

***CHECK TO ENSURE THAT THE GAS SUPPLY HOSE DOES NOT COME IN CONTACT WITH ANY HOT SURFACE, SHARP OR ROUGH EDGES OF THE OVEN OR OUTDOOR KITCHEN CONSTRUCTION. DO NOT KINK THE GAS LINE WHEN INSTALLING.***

The self-contained LP system appliance is design certified to be used with a standard 20 lb., 12 1/4" diameter; 18" high cylinder with right-handed connection threads and this is the maximum size LP tank to be used. The cylinder must be marked in accordance with the latest U.S. Department of Transportation specifications for LP gas cylinders. (DOT. CFR49 or National Standards of Canada CAN/CSA-B359 Cylinders, Spheres and Tubes for the Transportation of Dangerous Goods) a Propane Tank with an ODP) Overfill Prevention Device) must be used at all times.

***IMPORTANT: Never connect ovens, ovens or any appliance to an unregulated gas supply.***

If there are local codes that apply to outdoor ovens and ovens, you will have to confirm them with the local authority.

Installation must conform with local codes or in the absence of local codes, to the National Fuel Gas Code, ANSI Z223.1/NFPA 54 and Natural Gas Installation Code, CSA B149.1. All Natural Gas installations must conform to local codes or in the absence of local codes the national fuel gas code, ANSIZ2223.1a--1998.

If there are local codes that apply to outdoor burners, you will have to conform to them. Installation must conform with local codes or, in the absence of local codes, with Propane Installation Code, CSA B149.1, or Propane storage and Handling Code, B149.2 as applicable.

Installation in Canada must be in accordance with the standard CAN/CGA- B149.2.

A licensed contractor or local gas company representative must perform all gas connections.

Ensure that the service supplying the appliance is fitted with a shut off valve conveniently positioned near the appliance and giving ease of access.

The appliance and its individual shutoff valve must be disconnected from the gas supply piping system during any pressure testing of that system.



# WARNING



## i. Gas Leak Warnings

- Finding and/or fixing a gas leak is NOT a “DO-IT-YOURSELF” procedure – ONLY USE A PROFESSIONAL.
- **NEVER USE THE OVEN WITHOUT FIRST LEAK TESTING THE GAS CONNECTIONS INCLUDING ALL OF THE VALVES, FITTINGS, LINES ETC. (ALL GAS CONNECTIONS SHOULD BE CHECKED)**
- **WARNING: DO NOT USE OPEN FLAME TO CHECK FOR LEAKS. USE OF AN OPEN FLAME COULD RESULT IN A FIRE, EXPLOSION AND BODILY HARM.**
- DO NOT SMOKE WHILE PERFORMING THE LEAK TEST. Any open flame will ignite the gas.
- To prevent fire or explosion hazard, Perform leak test outdoors only.
- Check to ensure that flexible hoses do not have any cuts and wear that may affect the safety before each use. Only the factory supplied hose and regulator must be used. Use only replacement regulator and hose assemblies specified by BLAZE OUTDOOR PRODUCTS.

## ii. Checking for Gas Leaks

Perform a leak test before each use. In addition, whenever the gas cylinder is connected to the regulator or whenever any part of the gas system is disconnected or replaced, perform a leak test.

As a safety precaution, remember to always leak test your appliance outdoors in a well-ventilated area. Never smoke or permit sources of ignition in the area while doing a leak test. Do not use a flame, such as a lighted match to test for leaks. Use a solution of soapy water.

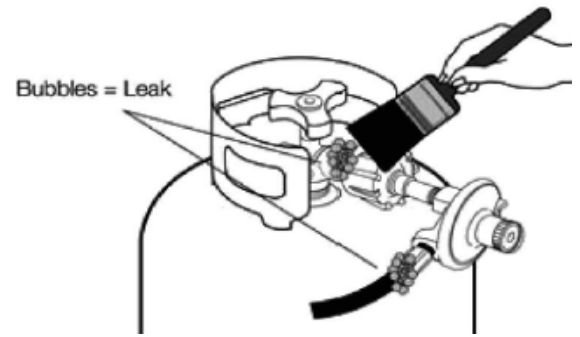
- Prepare a leak testing solution of soapy water by mixing in a spray bottle one-part liquid soap to one part water.
- Make sure all the control knobs are in the “OFF” position.
- Turn on the gas.
  - On Natural Gas systems, turn the main feed valve to the appliance.
  - On LP systems, turn the cylinder valve knob counter clockwise one turn to open.
- Apply the leak-testing solution by spraying it on joints of the gas delivery system. ***This includes all valves, pipe connections, joints, lines and every point from the gas source to the burners.***
- Blowing bubbles in the soap solution and/or there is a faint gas smell (Typically Gas has an Egg Smell) indicates that a leak is present. ***Do not attempt to ignite the oven.***
- Turn all control knobs back to the full OFF position.
- Stop a leak by tightening the loose joint and/or resealing with thread sealant or Teflon tape, removing sealant or tape in the event of a flared connection or by replacing the faulty part with a replacement part recommended by the manufacturer. Do not attempt to repair the cylinder valve if it is damaged. The cylinder must be discarded to a proper LP tank location and then replaced.
- If you are unable to stop a leak turn all control knobs back to the full OFF position, shut off the gas supply to the appliance and release pressure in the hose and manifold by pushing in and turning any of the control valves one quarter turn counter-clockwise.
- On LP systems, remove the cylinder from the appliance.
- Call an authorized gas appliance service technician or an LP gas dealer.



# WARNING



- Do not use the appliance until the leak is corrected.
- The adjacent diagram is intended to show what a leaking connection would look like. These two locations are not the only points to check nor the only potential areas for a gas leak to be present.



**EX: Leak testing solution of soapy water by mixing in a spray bottle one-part liquid soap to one part water.**

- All gas piping and connections must be tested for leaks after installation or service along with before each use. *This includes all valves, pipe connections, joints, lines and every point from the gas source to the burners.*
- The following diagram is for informational purposes only. These locations are not the only points to check nor the only potential areas for a gas leak to be present. *Ensure the leak test includes all valves, pipe connections, joints, lines and every point from the gas source to the burners.*

**All leaks must be corrected immediately. Remember-before exchanging an empty bottle for a new one; make sure all control valves are in the "off" position. This can create a low flow of gas through the oven. This would require the tank to be disconnected from the regulator, and then reconnected to reset the regulator.**

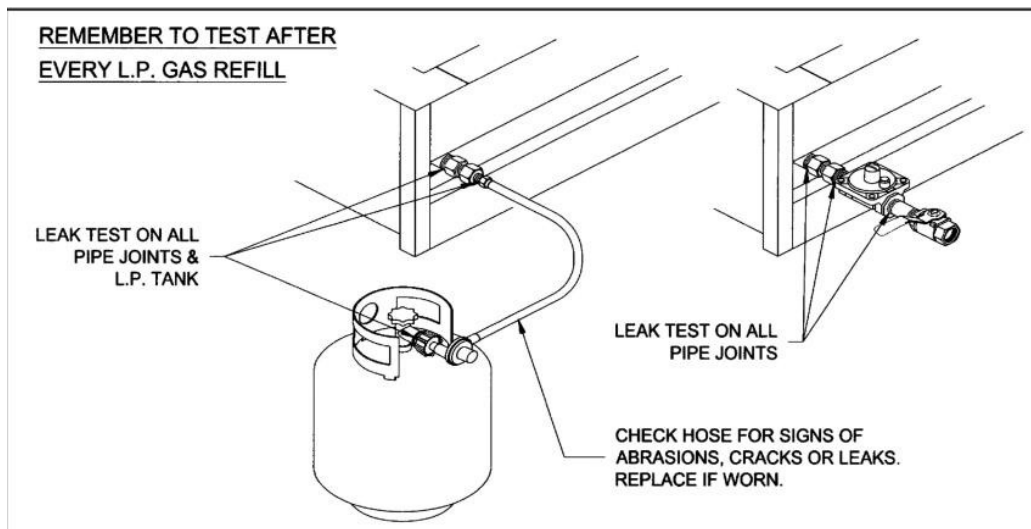
**Open the valve (shut-off or 'ON' LP tank). Test for leaks by applying liquid soap solution to all joints. Bubbles forming indicate gas leak.**



# WARNING



## NEVER USE AN OPEN FLAME TO CHECK FOR LEAKS





## **VI. Gas Connections**

### **i. Natural Gas Requirements**

- Connect a suitable natural gas flex connector to the oven regulator located on the rear right corner of the appliance. It is recommended to use a flex connector with a minimum of a ½" diameter or larger.
- Sealing all non-flared fittings with thread sealant or Teflon tape.
- Ensure the flex connector is protected from sharp edges, heat, aggressive surfaces, and kinking.
- Check the appliance controls to ensure all control valves are in the full OFF position.
- Turn on the main gas supply and check all connections for leaks using soapy water as described in the leak testing procedure section.
- The regulator used must be set for 4" water column and is for use with Natural gas only. Note: Most low-pressure regulators have a directional arrow indicating the direction in which the gas must travel. Ensure the arrow is pointing in the direction of the oven.
- An installer supplied gas shutoff valve must be installed in an accessible place.

### **ii. Liquid Propane (LP) Gas and Tank Requirements**

- *If your BLAZE Oven is for a Liquid Propane application, a L.P regulator set for 11" WC must be used and is for use with LP gas only.*
- *The regulator and hose supplied must be used with a 20 lb. LP cylinder.*
- *A collar to protect the cylinder threads on the customer supplied tank.*
- *An arrangement for gas vapor withdrawal.*
- *A safety relief device having direct communication with the vapor space of the cylinder.*
- *A method of mounting.*
- *The gas supply must be turned off at the LP Gas supply cylinder and the LP Gas supply cylinder must be disconnected from the regulator when this outdoor cooking gas appliance is not in use.*
- *Always sit the cylinder in an upright position so that the cylinder valve is at the top. This will ensure proper vapor withdrawal.*
- *The cylinder should not be stored in a building, garage, or any other enclosed area. It should be stored outdoors in a protected, cool, and dry location out of reach of children.*
- *Never store any spare or extra gas cylinder(s) around or in the outdoor kitchen containing the BLAZE OVEN or any other open flame, heat-producing appliance(s) or heat source*



# WARNING



## Filling and Refilling LP Gas Cylinders:

*All purging and refilling of LP gas cylinders must be performed by qualified personnel in the LP gas industry.  
Never store a spare LP gas cylinder under or near this appliance.  
Never fill the LP gas cylinder beyond 80 percent full.*

**Failure to follow these instructions may result in explosion, personal injury or death.**

- Turn control knobs and cylinder valve to the OFF position. Unscrew valve.
- Remove cylinder and have it filled at your local qualified propane dealer.
- Once filled, carefully connect the valve and make sure it is secure and not leaking.
- With the control knobs in the OFF position, turn on the cylinder valve.
- If you smell gas or hear a hiss of gas escaping from the tank, get away from the tank and do not attempt to correct the problem yourself. Call the Fire Department immediately.
- If your appliance has no leak at the cylinder, then re-check for loose connections and retest for leaks using the method detailed in the following pages with soapy solution.
- Do not subject your LP gas cylinder to excessive heat, and always store the cylinder in an upright position. Never store your LP cylinders indoors.
- Make sure that when attaching components, all connections are secured and fully tightened to prevent leakage.



# WARNING



## ***Always check for leaks before every use.***

If one is not already available, it is required that an ON-OFF shutoff valve be installed at the gas supply source, and that the gas supply be turned off when either Natural Gas or LP Gas appliances are not in use.

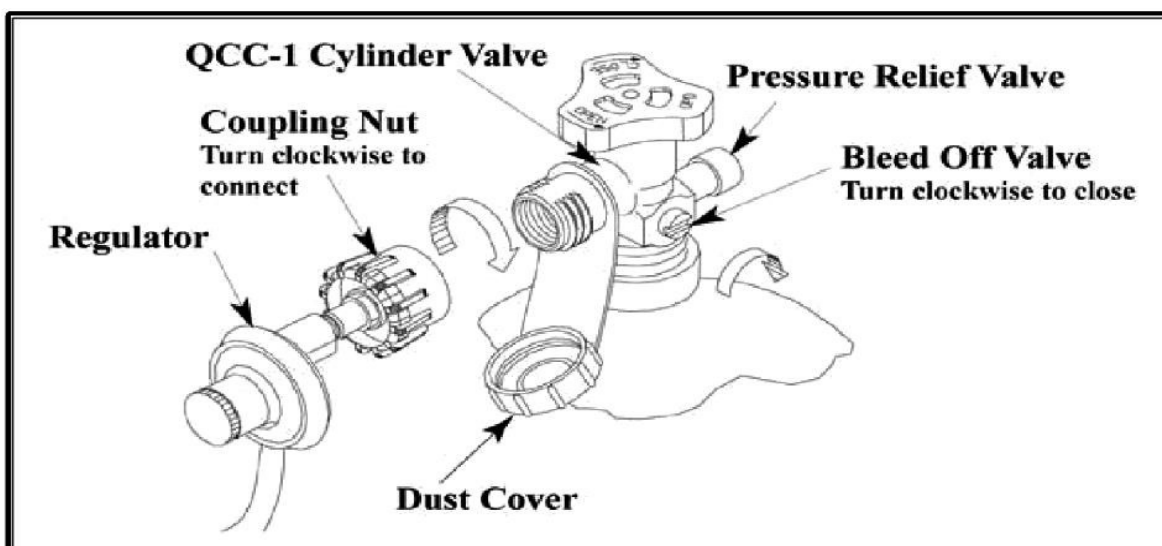
### **iii. Transporting and Storing LP Gas**

Transport only one cylinder at a time. Ensure the cylinder is secured in an upright position with the control valve turned off and the dust cap in place. Store cylinders outdoors and out of the reach of children. Do not store cylinders in a building, garage, or any other enclosed area.

#### ***Procedure for LP Gas Cylinder Connection (20 Lbs.)***

The LP Gas Cylinder must be in compliance with the specifications for LP-Gas Cylinders of the US Department of Transportation or the National Standard of Canada, CAN/CSA- B339. The basic tank size is 12" in diameter and 18" High with a QCC-1 cylinder valve.

1. Turn the "Hand Wheel" on cylinder ***clockwise*** until it stops to ensure the Cylinder Valve is fully closed.
2. Turn all of the burner knobs to the OFF position.
3. Connect the 3/8" Flare end of the hose to the 3/8" Flare end of the brass coupling on the unit using a 3/4" open wrench. Do not apply pipe sealant. (These are flared fittings).  
Note: Remember the rubber line on the hose and regulator must be protected from sharp edges, hot surfaces, aggressive building materials that could cut, melt, or damage the line. A separate approved gas line might be needed to go between the hose and regulator and the oven to position the rubber line in a safe location.
4. Connect the regulator to the LP cylinder. Only hand-tighten the regulator.
5. Check for leaks using a soapy water solution by spraying on all connections, including all of the valves, fittings, lines etc. (any and all gas connections have the ability leak and therefore it is critical to check for leaks before each use)
6. To disconnect after you have used the appliance, turn the burner knobs to the OFF position.
7. Close the Cylinder Valve by turning the Hand Wheel counter-clockwise until it stops.
8. Disconnect the regulator from the LP cylinder after use.



## **VII. Installing the Appliance in a BBQ Island**

***You will need a second person to help you avoid damaging the appliance or your appliance island.***

***NOTE: Check with City and Fire department for Local Building Codes. A Permit may be required for outdoor kitchen construction.***



# **WARNING**



***Ensure all clearances to combustibles are maintained. (See page 11).  
The island must be made out of non-combustible material. In the event it is  
combustible, the use of an insulation jacket is REQUIRED.***



# **WARNING**



### ***Install Steps:***

- Slide the appliance into the cut out and then attach the gas line.
- Be very careful not to kink the gas line when lowering the appliance into the cut out.
- Keep your fingers away from where the appliance will be supported on counter. Your fingers could become trapped and serious injury could occur.
- Check to make sure the appliance is level and is supported around the entire outside edge. If the appliance is not level or is unstable, use non-combustible shims under the outside lip to stabilize it.

## i. Outdoor Kitchen Ventilation



**Failure to adequately vent your outdoor kitchen cavity could result in an explosion or fire.**

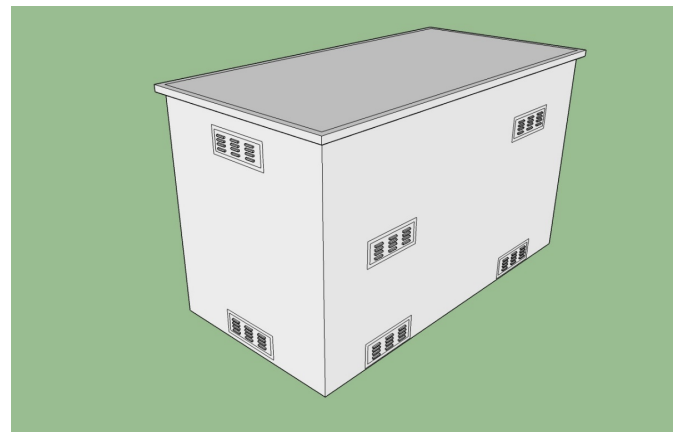
When building a gas appliance into an outdoor kitchen, it is necessary to provide adequate ventilation for the island cavity underneath. This is necessary for not only proper combustion, but also to prevent a buildup of gas. While the amount of venting required for your island will vary due to the variety of differing local codes, inner framework and design of an outdoor kitchen, the amount of gas products installed and their locations, etc., all built in applications/ islands should be ventilated in some way. Your local contractor and/or your local code authority can determine adequate ventilation for each installation. Stainless Steel vent panels are available from your dealer to cover the island venting.

***The following information is important to consider when adhering to your local code requirements:***

**\*\*\* LP/Propane Gas:** LP gas is heavier than air and will settle to the lowest levels of the outdoor kitchen. It is imperative to provide adequate cross ventilation for the areas where gas can accumulate at these lower levels of the island cavity. Should the Propane cylinder be located in the outdoor kitchen itself, a plenum wall is required to separate the gas source from the other areas of the outdoor kitchen (picture shown on page 23), and both the cabinets containing the gas appliances and the gas tank should be ventilated appropriately. If a plenum wall is undesirable, BLAZE offers a Propane tank drawer as an alternative.

**\*\*\*\* NG/Natural Gas:** Natural gas is lighter than air and will rise to the highest levels of the outdoor kitchen. It is imperative to provide adequate cross ventilation for the areas where gas can accumulate at these higher levels of the island cavity.

***The adjacent diagram shows a variety of examples of venting locations and configurations for an outdoor kitchen. These are not the only possible options for venting but instead simply some examples of the more common configurations found. Notice the middle set of vents being positioned lower on the island cavity for LP gas. Lower vents are for LP and the higher vents are for natural gas (examples only).***



## **ii BUILDING BBQ SPECIFICATIONS**

### ***ALL GAS CONNECTION POINTS SHOULD BE TESTED FOR LEAKS AFTER INSTALLATION PRIOR TO FIRST USE OF THE GAS APPLIANCE(S).***

Before installing an appliance in any island cut out, make sure that the opening is not bigger than the outside frame of the appliance unit. The appliance should rest on the lip of the frame.

Pay careful attention to the location of the gas line. It should be routed away from sources of heat, sharp edges, and aggressive surfaces and should make as few bends as possible.

Ensure the gas line connection will be accessible when appliance is installed. A safety shutoff valve is required at this gas connection point. Before installing the oven into the island cutout, the main burner cotter pins may be removed for convenience of service, adjustments and maintenance in the future. These are accessible from the outside rear of the oven. PLEASE NOTE: An enclosure for an gas shall be ventilated by openings at both the upper and lower levels of the enclosure. At least two ventilation openings shall be provided in the side wall of the enclosure, located within 5 in (127 mm) of the top of the enclosure at a minimum of 90 degrees (1.57 rad), and unobstructed. Also, ventilation opening(s) shall be provided at floor level of the enclosure. If ventilation openings at floor level are in a side wall, there shall be at least two openings. The bottom of the openings shall be 1 in (25.4 mm) or less from the floor level and the upper edge no more than 5 in (127 mm) above the floor level. Every opening shall have minimum dimensions so as to permit the entrance of a 1/8 in (3.2 mm) diameter rod. Ventilation openings in side walls shall not communicate directly with other enclosures of the outdoor cooking gas appliance. If the outdoor kitchen counter top will overhang the face of the island, notching out the two front counter top edges will be necessary to allow the oven to slide flush against the outer front wall to the outdoor kitchen. Due to differing personal preferences of the size of the notch out, this is recommended to be done at the point of installation so that the consumer can dictate their preference.

#### **NOTE:**

***Perform the leak test procedure as described earlier in this manual.***

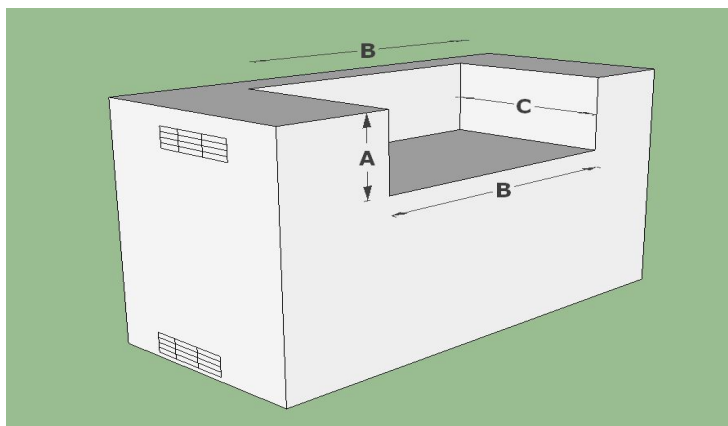
***\*Ensure your island cavity is adequately vented. Number of vents shown in diagram is for informational purposes only.***

***Consult your local licensed professional for adequate requirements.***

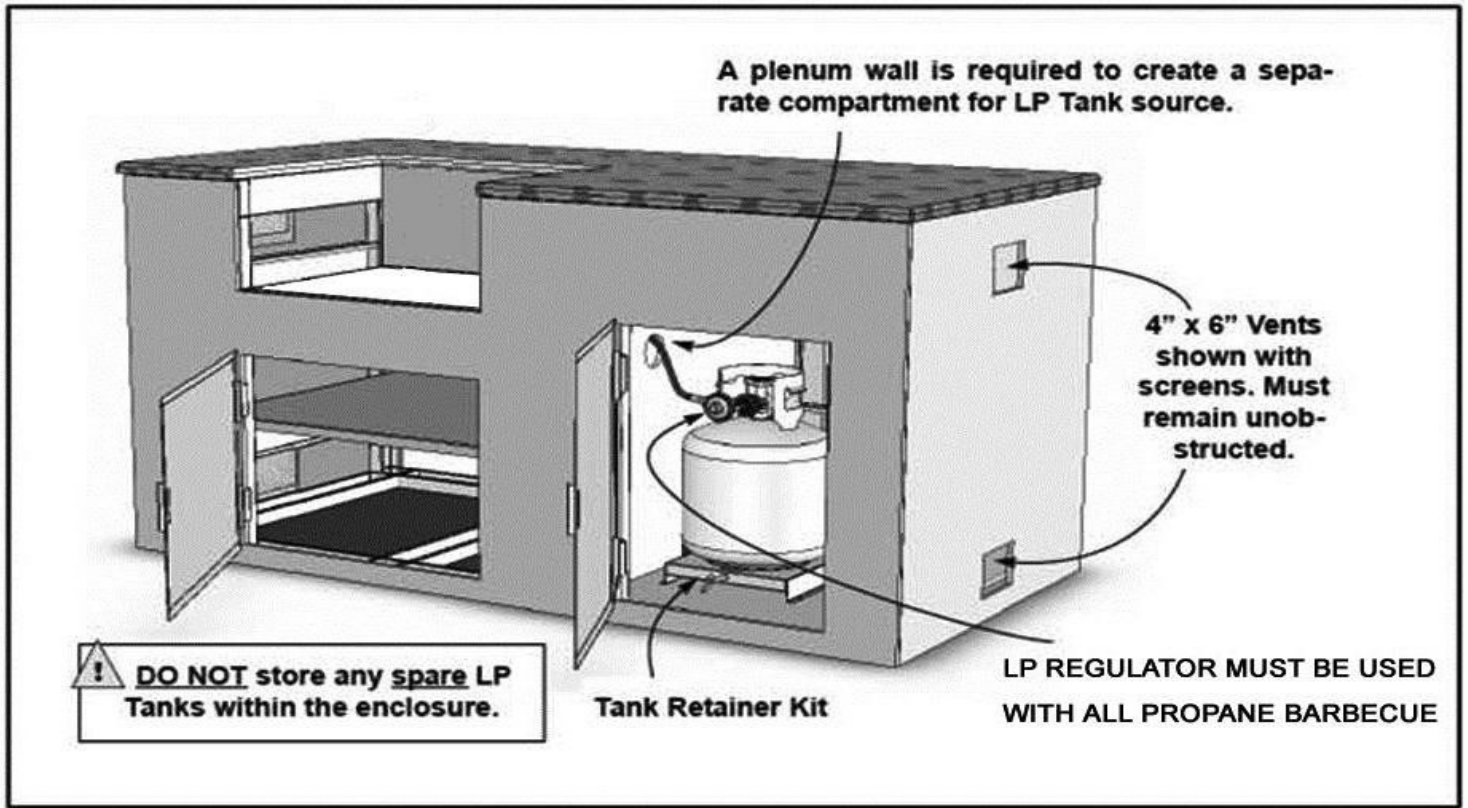
***\*Ensure your outdoor kitchen is constructed out of non-combustible materials.***

***\*If your outdoor kitchen is constructed of combustible materials, an insulated jacket is REQUIRED.***

**ALL BBQ ISLANDS MUST BE MANUFACTURED FROM "NON-COMBUSTIBLE" MATERIAL**

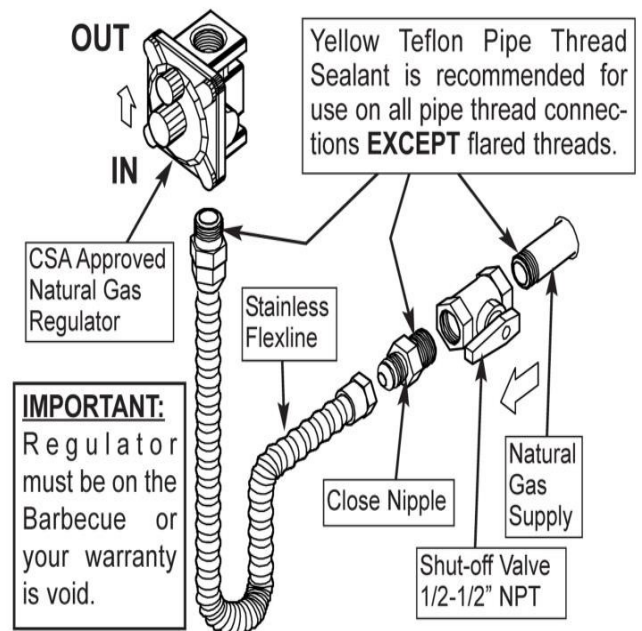
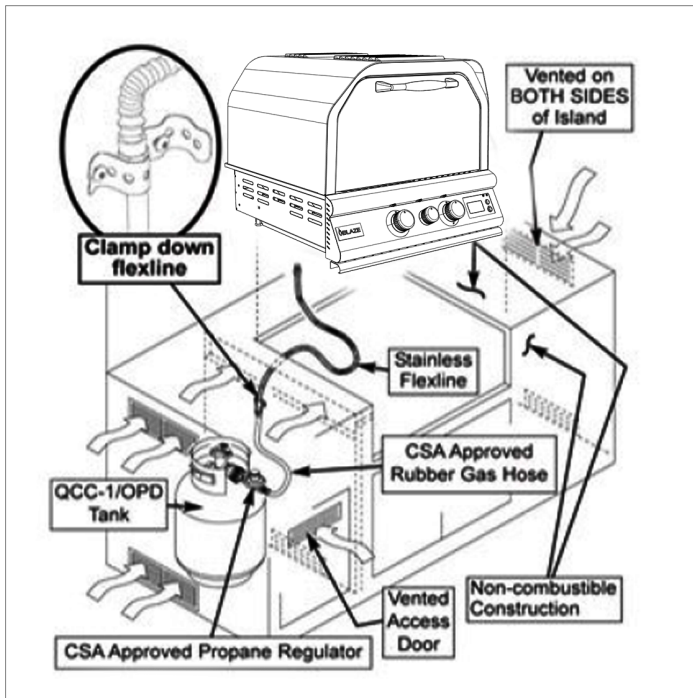


### iii. Installation Diagrams



**Installation Diagram  
(5 Gallon LP tank shown)**

**Installation Method for Low Pressure Gas Source- (Natural Gas Regulator Shown)**



## VIII. FIRST-TIME OPERATION



Before lighting the burners inspect the gas supply piping or hose. If there is evidence of cuts, wear, or abrasion, it must be replaced prior to use. Always keep your face and body as far away from the grill as possible when lighting. Always perform a gas leak test before each use.

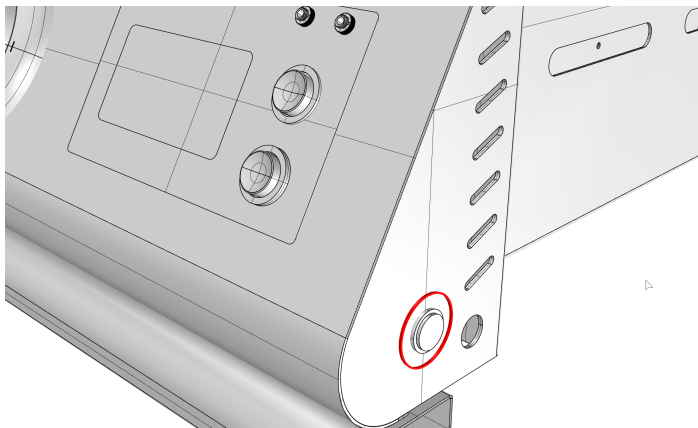
**Caution: Never operate the appliance unattended. The surface is extremely hot and someone can touch the hot surface and get seriously burned. All gas appliances should be attended at all times.**

**Prior to using your appliance, verify that all of the following is correct:**

- ✓ The burner tube is free of any debris or obstruction.
- ✓ Installation of the proper gas type and regulator settings.
  - ✓ The proper gas connection is complete.
    - ✓ Check for gas leaks.
  - ✓ Minimum clearances are maintained.
    - ✓ All packaging has been removed.
- ✓ All parts and components are properly in place.
- ✓ An installer-supplied manual gas shut-off valve is fully accessible.
- ✓ LP hose is clean and inspected for cuts, wear, abrasion, or leaks. Replace if necessary, with a suitable UL, ETL or CSA Listed part with internally threaded connector.

### ***i. Powering the oven and using digital screen***

1. Make sure unit is plugged into a 15 AMP Breaker with GFI protection. Press the button to the right lower side wall of the control panel to power up the oven. Button will turn "RED" when the main power is on. This will power the digital screen see below image. The screen is used for monitoring temperature and controlling the turntable.







● MEAT PROBES

● LED LIGHTS

● TURNTABLE  
ON/OFF

2. Press the top button to power lights. Button will turn "RED" when on. Push the lower button to operate the turntable.
3. Two upper plug-in jacks are for the included wireless probes and are used when monitoring food temp.

## ii. Lighting the Appliance

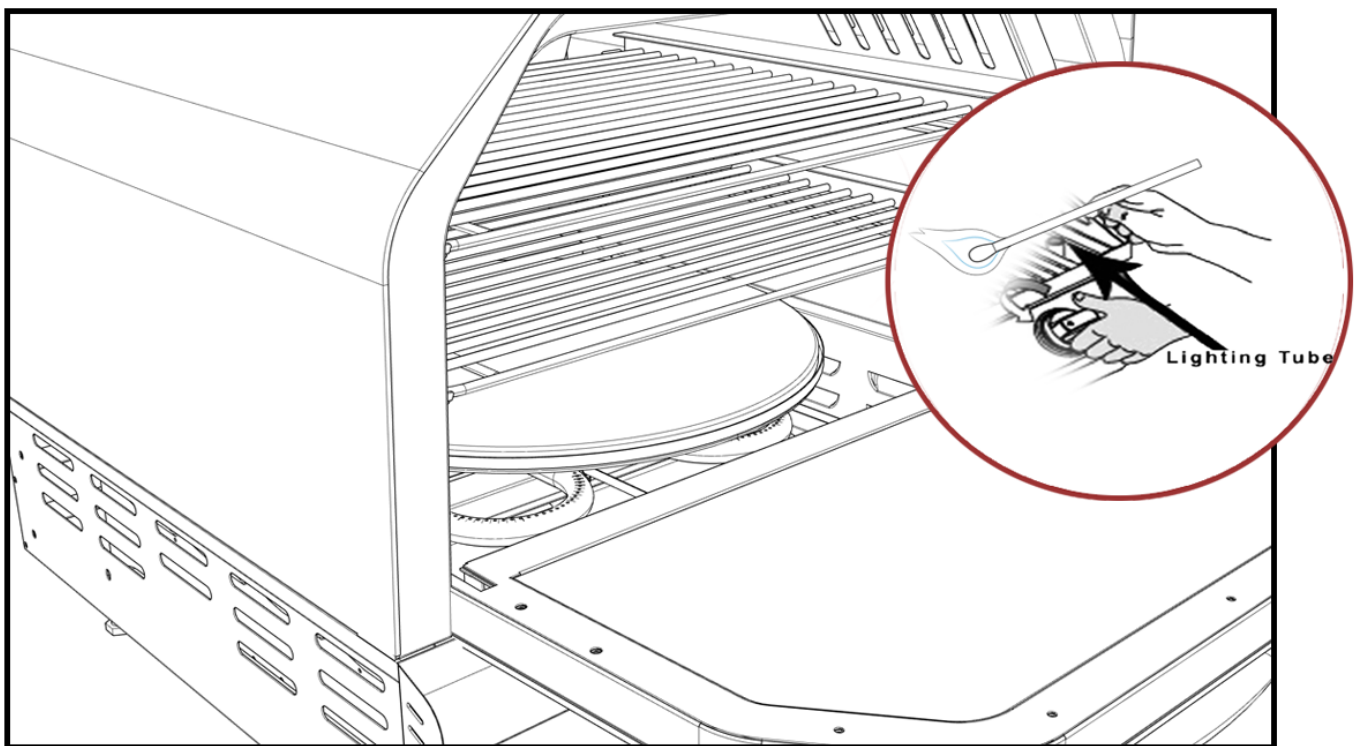
1. Open the DOOR.
2. Use caution when lighting burners by standing as far away from the burners as possible. **Do not put your hands, arms, head or any body parts close to the oven when lighting.**
3. To ignite burners, push the burner knob in and slowly rotate counter-clockwise to the high position.
4. You will hear a loud click as the electronic lighter produces a spark. Listen for the sound of the gas igniting and look for a flame beneath the cooking stone. If the burner does not light on the first try, repeat immediately.
5. If the burner does not light in 5 seconds, turn the burners off and wait five minutes with the door open until the gas clears before attempting to light it again. Repeat the procedure or try the manual lighting procedure below.
6. If the burner does not light after several attempts, immediately close all gas valves and consult an authorized service technician.
7. Upon successful lighting, repeat the process on the other burners you wish to light.
8. To shut off the burners, rotate the knob and turn to OFF. It is normal to hear a popping sound when the burners are turned off.
9. Close the valve at the gas supply.

### iii. Manually Lighting the Main Burners



*A long match can be used, but it is recommend to use a long lighter to perform match-lighting procedures. Serious burns can occur and lighters can explode.*

1. Open the door.
2. If you have just attempted to light the burner, allow five minutes for any accumulated gas to dissipate. Use caution by standing as far away from the burners as possible. **Do not put your hands, arms, head or any body parts close to the oven when lighting.**
3. Hold your open flame to the top of the tube burners. See below picture.



4. Push in and turn the control knob to HIGH.
5. If the burner does not light after five seconds, turn the control knobs to the OFF position.
6. Wait five minutes until the gas clears before attempting to light it again.



**If the burner does not light after several attempts, immediately close all gas valves and consult an authorized service technician.**



# WARNING

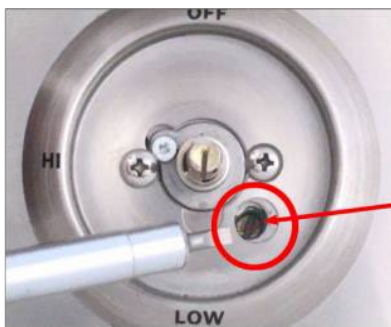


“**FLASHBACK**” may occur in or around the burner tubes. Flashback exhibits a characteristic “whooshing/jet like” sound. If this should occur, immediately turn off your burners, then remove and clean them with soap, water and a brush until all foreign objects are removed.

*Before cooking with your appliance for the first time, burn off any foreign matter and rid the unit of any odors by burning the main burners only on HIGH with the lid down for about 10 minutes. When lit, the flame should have a mostly blue color to it. It may have a tint of yellow and adjustment to the air shutters can be made to obtain a blue flame and proper gas glow (see flame adjustment). Turn the control knobs to HI and allow the oven to preheat for 15 minutes or until desired temperature is displayed on the thermometer. The DOOR is to be closed during the appliance preheat period.*

## iv. Flame Adjustment

- a. Become familiar with the safety instructions at the front of this manual. Do not smoke while lighting the appliance or checking the gas supply connections.
- b. Make sure that all gas connections are securely tightened and have been leak-tested with a soapy water solution - **never with a flame!**
- c. With the cooking grids and flame tamers removed, light the main burners and run them on the high setting.
- d. Inspect burners for proper flame appearance. The ideal flame appearance is one that is mostly blue and not lifting off of the burner surface. There is an air shutter found at the end of the burner (close to the valve) which can be either opened or closed to make adjustments to the flame's appearance. To adjust, remove the burner from the appliance and loosen the Phillips head screw holding the air shutter to the burner. If the flame is yellow, open the air shutter to make the flame bluer. If the flame is lifting off of the burner surface, slightly close the air shutter. Re-tighten the Phillips head screw and re-install the burner to recheck the flame appearance. Repeat if necessary.
- e. Turn burners to low flame setting and test for proper flame height. Flame should be stable and burning out of each burner port without danger of going out in the lowest setting. (To adjust the LOW flame setting simply light the appliance on the LOW setting and adjust the screw located under the knob on the front of the valve using a flat head screwdriver as seen in the diagram below.)



**Low FLAME setting**



# WARNING



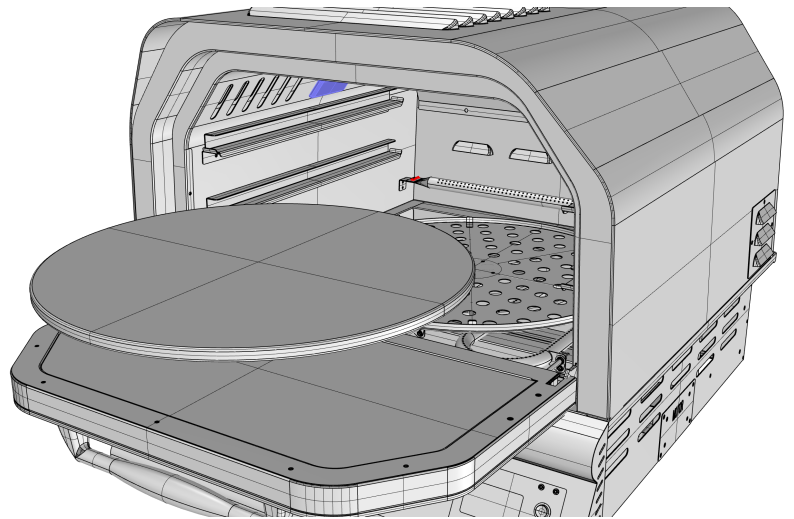
**NOTE:** Make sure each burner is properly placed after cleaning. It is very important to ensure the end of the burner is installed appropriately onto the gas valve to ensure gas flows safely into the burner. Failure to meet these conditions can cause dangerous conditions that can cause personal injury and/or property damage.

## v. Pizza Stone Turntable and Rotisserie Instructions

**NOTE:** Pizza stone is located in the cardboard sleeve inside the oven. Carefully remove stone from protective box and insert into center round rack in oven

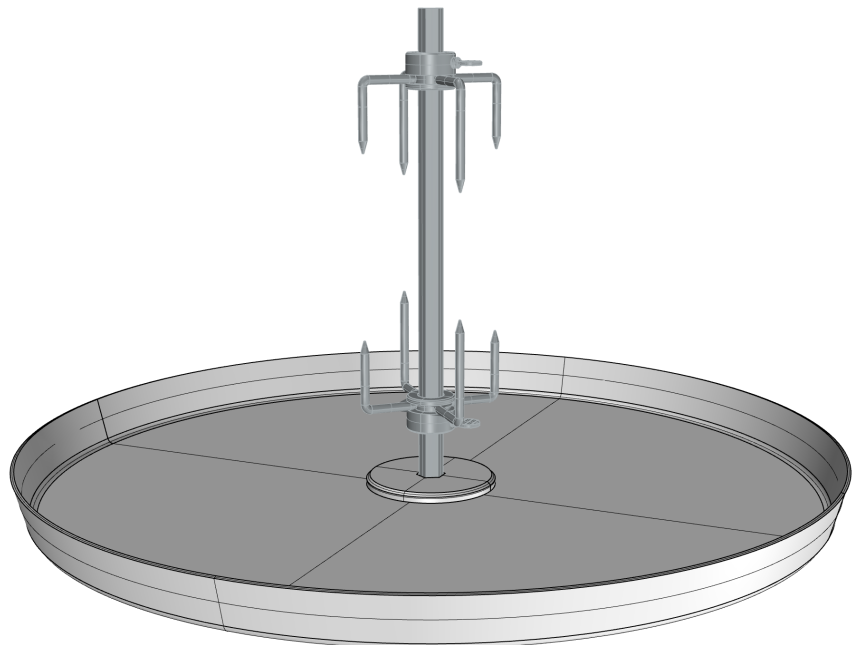
### *Inserting pizza stone and preheating the oven:*

Place stone into metal rack. Always preheat the entire appliance before cooking. If the appliance is already hot from cooking, you should still preheat the rear burner for 10-15 minutes with door closed. For a proper pizza it's critical for the stone to reach 600 - 700 degrees.



### *Rotisserie instructions:*

Screw the four prong rod into the rotisserie base to attach to the pan "Main rotisserie rod plugs into the center of the drip tray". Slide the prongs onto the shaft so they face each other, lock in place. Place the basting pan directly on cooking stone, making sure to center it on the stone. The basting pan will collect the juices for basting and gravy. This must be cleaned after each use. For cooking rotisserie style it's recommended that you start with the lower burners on low. Adjust heat and use back burner as necessary. The rotisserie motor is capable of turning up to a 20 lb. cut of meat or poultry. If the shaft doesn't run smooth, or makes a struggling sound, the meat is not properly balanced. Use the counterweight to balance any unevenness of the food on the rotisserie.



## vi. Using the Rotisserie

*This oven is capable of performing rotisserie cooking. The location of the rear burner allows the placement of the basting pan beneath the food to collect the juices for basting and gravy. To flavor the contents of the basting pan, you can add herbs, onion, garlic or spices. Hams are especially good with the addition of pineapple slices and brown sugar to the basting pan. The rotisserie motor is capable of turning up to a 20 lb. cut of meat or poultry. Setting the meat onto the shaft. Remove the prong that is closest to the motor end of the rotisserie. Skewer the meat with the shaft, making sure that the meat is centered and balanced as evenly as possible. Push the prong into the meat sufficiently to hold it in place. It's helpful to place the heavy side of the meat to the bottom. Place the second prong onto the shaft and push it into the meat. Lock the meat into place, by tightening both securing screws. Ensure that any loose parts of the meat are addressed to prevent tangling as the shaft turns. If the meat is not spinning evenly or is making a struggling sound, the meat is not properly balanced. Remove the rotisserie from the oven. With the food still on the rotisserie's bottom prong, hold one end of the rotisserie and readjust the meat. Allow it to rotate freely. The heaviest point should be placed on the bottom prong first. Once the meat is balanced place the rotisserie pan back in the oven, switch the motor on to ensure balancing is complete. If necessary, carry out the procedure again to fine tune the balance point. Not all foods need to be balanced. If the meat is almost perfectly round and is centered properly on the shaft, it should rotate with no problems. Finally, you are ready to start cooking. Please be aware that it is common for the meat on the rotisserie to change slightly during the first 10-20 minutes of cooking. This can at times cause the meat to separate from the rotisserie forks preventing it from rotating. It is advisable to check the meat periodically during the initial part of the cooking process and re-attach the rotisserie forks if needed.*

**WARNING:** *When using the rotisserie burner DO NOT use the oven burners as this may cause the oven to get too hot. It's recommended to either use the bottom or back burners while cooking rotisserie style.*

## vii. Using the rear burner

*Light the rear burner as described in the lighting instructions in the oven's owner manual. The rear burner can be used for many different things. It's mainly designed for cooking pizza's or broiling foods. When cooking pizza it's necessary to use all three burners and to allow time for the oven to reach temperature before placing pizza dough onto the stone.*

# IX. Cleaning Your Appliance

---

**NOTE:** Always wait until your appliance is completely cool before cleaning. You should clean your appliance after each use to maintain the overall appearance over the life of your appliance. After the first use, it is normal for your appliance to become discolored in certain areas from the heat produced by the burners. A video for cleaning your oven is located on the blaze website to assist with the below instructions, [www.blazegrills.com](http://www.blazegrills.com).

## Exterior Cleaning

When cleaning your appliance, always scrub and polish in the direction of the stainless steel grain. Wipe down the exterior of the appliance to remove any splatter or grease. Do not use harsh abrasives. Use a stainless steel cleaner to clean the exterior surface for a polished look. To remove baked-on foods, use a fine to medium grit non-metallic abrasive pad with a stainless steel cleaner to avoid specks of grease collecting in the grain causing the appearance of rust. Before installing the cover, always allow the surface to dry. **DO NOT** cover a damp appliance.

## Drip Tray

Clean the drip tray after each use. Failure to do so could result in a fire. Once the appliance has cooled completely, remove the tray by pulling it all the way out until it comes free. Clean the tray with hot soapy water and replace ensuring the tray is installed completely in the oven housing. If using an oven cleaning agent, be sure to carefully follow the manufacturer's instructions to avoid damage to the stainless steel.

**Warming Racks-** To clean (should clean after each use), turn the main burners on HIGH for 10-15 minutes with the door closed. This allows any food particles or grease drippings to burn away. Brush components with a stainless steel bristle brush to remove any remaining charred materials.

## Stainless Steel Tube Burners

The appliance must be completely cooled before proceeding. Make sure the gas supply is off and all control knobs are in the "OFF" position. You must remove all cooking grids and stone to expose the main burners in the appliance. On the bottom rear of each burner is a cotter pin accessible from the inside of the oven. Remove cotter pins (unless they were removed prior to installation into an outdoor kitchen). To remove burner, pull rod upwards and slide burner toward the rear of the appliance. Repeat for each burner. To clean the burners, use a wire brush to clean the exterior of the burner. Free all clogged ports of obstructions with a small metal object. Clean out any debris through the air shutter and inspect the burner inlet to ensure it is free of any obstructions. Use a rod or pipe cleaner to remove any debris within the burner if necessary.

## SPIDER AND INSECT WARNING

Spiders and other insects can nest in the burner of this and any other burner, which causes the gas to flow from the front of the burner. This dangerous "condition" can cause a fire behind the valve panel, damaging the burner and making the burner unsafe to operate. Inspect the burners before each use. Symptoms of insect nests can include any of the following conditions:

- 1) The smell of gas in conjunction with the burner flames appearing yellow.
- 2) The burner does not reach temperature.
- 3) The burner heats unevenly.
- 4) The burner makes popping noises.

## **X. Fuel Conversion**

**CAUTION:** This should only be performed by a licensed gas professional.

(A video converting your blaze oven is located on the blaze website to assist with the below instructions, [www.blazegrills.com](http://www.blazegrills.com) )

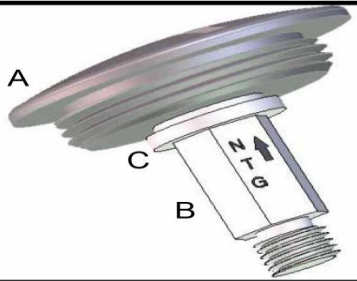
### **i. Convertible Gas Regulator (if applicable):**

***Currently all natural gas ovens are supplied with a regulator which is appropriate for use with natural gas or low-pressure propane.***

1. When converting to Propane Gas, the most common Propane canister used is a smaller sized portable canister (typically 5 gallons or 20 pounds). The pre-installed regulator will need to be converted to LP gas (see below) and add a secondary low pressure hose and regulator with an outbound pressure set to approximately 11" of water column pressure. If an individual is intending on using Propane provided from a larger tank permanently installed on location, the regulator included with the appliance will only need to be converted for use with LP fuel (see NG-LP Regulator Conversion below). Please be aware that this included regulator can only withstand an inbound pressure of .5 PSI or roughly 14 inches of water column pressure. Any higher pressure on location will have to be further regulated before connecting to the regulator on the appliance. Please consult your local Propane gas provider to confirm the gas pressure on the supply line feeding the appliance.
2. If converting to Natural Gas, a low-pressure regulator with an outbound pressure set to 4" of Water Column pressure must be used.
3. With either setup, remember to always check for gas leaks after the job is complete (see checking for gas leaks).



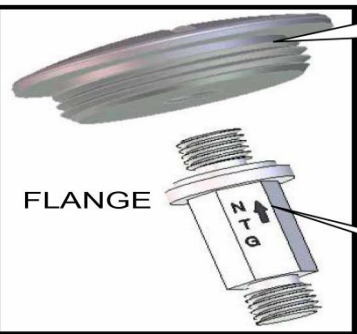
# NG - LP Regulator Conversion



Cap is attached to regulator and in this picture it is shown as “set to Natural Gas”.

Step 1: Remove Cap by Unscrewing it.

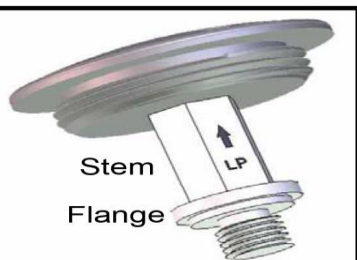
A= Cap B= Stem C= Flange



Step 2: Unscrew the Stem from the cap



Step 3: Turn the Stem 180° so that the Flange is at The Bottom.



Step 4: Screw the Stem back into the Cap and then reinstall the Cap/Stem Assembly back into the Regulator.

Note: Hand Tight Only.

**NOTE:** for a “FULL” conversion make sure you replace all of the orifices located in the Valves including the Back Burner valve with the LP orifices provided in the Conversion Kit



## **Fuel (Gas) Conversion Instructions for Blaze Gas ovens.**

**CAUTION:** This should only be performed by a licensed gas professional.

### **Main Burners:**

1. You must remove pizza stone and mounting plate to expose the main burners in the appliance.
2. On the top rear of each burner is a set of screws. Remove screws. (unless they were removed prior to installation into an outdoor kitchen)
3. To remove burner, pull burner upwards and slide burner toward the rear of the appliance. Repeat for each burner.
4. Where the burner was previously located, connecting to the main valve through the hole in the basin should now be empty space.
5. Inside the space you will find the end of the valve (toward the front of appliance), with an orifice (brass fitting), screwed into the end of the valve stem.
6. Carefully remove the orifice with a 6mm socket set and extension. (These are extremely fragile! When unscrewing, be extremely gentle, for you could easily break the brass fitting and have to replace the valve).
7. Once the old orifice is removed, replace it with the new orifice, (repeat for all burners). When re-installing the orifice, do not over tighten or you will strip the brass fitting. Very little pressure is needed!!!
8. Inspect burners for proper flame appearance. The ideal flame appearance is one that is mostly blue and not lifting off of the burner surface. There is an air shutter found at the end of the burner (close to the valve) which can be either opened or closed to make adjustments to the flame's appearance. To adjust, remove the burner from the appliance and loosen the Philips head screw holding the air shutter to the burner. If the flame is yellow, open the air shutter to make the flame bluer. If the flame is lifting off of the burner surface, slightly close the air shutter. Re-tighten the Philips head screw and re-install the burner to recheck the flame appearance. Repeat if necessary.

## **XII. Warranty Registration**

The following information is applicable only to the gas oven BLZ-26-PZOVN PIZZA OVEN (NG/LP) in addition to the parts warranty found below. The warranty does not cover labor or labor related charges, or shipping & handling costs. All repair work must be performed by a qualified professional service person. (Blaze will not reimburse for any diagnostic charges). Please call our customer service department for help diagnosing the issue before calling a service provider.

Unlike the standard Blaze Outdoor Products Oven, the Blaze Gas ovens BLZ-26-PZOVN PIZZA OVEN (NG/LP) can be used in multi-user applications, including but not limited to: apartment complexes, hotels, condo complexes, fire stations, police stations, multi-family dwellings, etc. The Blaze Gas Oven BLZ-26-PZOVN PIZZA OVEN (NG/LP) warranty is not applicable when used in a restaurant setting. For multi-user applications Blaze Outdoor Products applies the following warranty:

- THREE (3) YEAR WARRANTY Stainless steel oven housing, burners, stainless steel rod cooking grids, brass valves, inner liners and manifold assemblies.
- NINETY (90) DAY WARRANTY All other components, except burners, are warranted for 90 days. This warranty replaces the lifetime warranty offered with residential use when appliance is used in multi-user settings.

If you have purchased a Blaze Series Oven you must register your product within 30 days of purchase to validate the warranty and maintain your original receipt to get parts for the appliance. You may register your appliance at [www.blazegrills.com](http://www.blazegrills.com) by selecting Support, and then selecting Register your Product. You may also fill out page 40-41 and mail to the address located at the bottom of the form. The warranty is for original owners only at the original site of delivery and cannot be transferred to new owners. You must retain your sales slip or invoice.

Installation, repair and maintenance work should be performed by an authorized service technician. Work by unqualified persons could be dangerous and will void the warranty. All Natural and LP Gas appliances must have a qualified installer complete the installation for the warranty to be in effect. The incorrect installation of the Blaze gas appliance will void the warranty. Please call Blaze Outdoor Products for more information on correct installation of the gas appliance.

Blaze Outdoor Products shall not be liable under this or any implied warranty for incidental or consequential damages and Blaze Outdoor Products liability is limited to the purchase price of the appliance only. This warranty gives you specific legal rights, and you may also have other rights, which may vary from state to state. This warranty is applicable in the United States and Canada only.

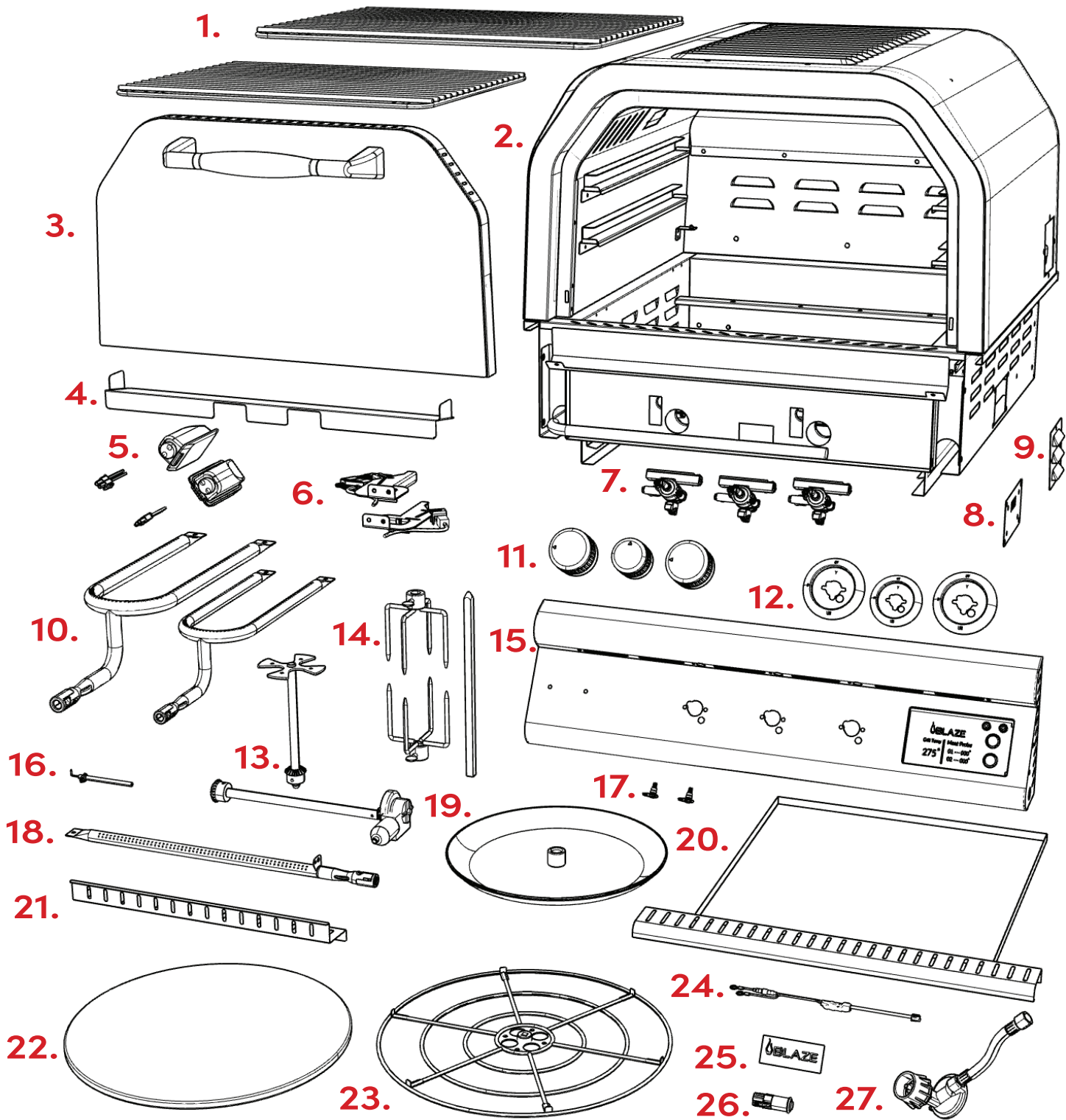
***ATTENTION International Customers: Please consult your selling dealer or distributor for specifics pertaining to your product warranty and procedure. No one other than the selling dealer or distributor is authorized to perform any obligations under this warranty.***

***Improper Maintenance, high cooking temperatures, excessive humidity, chlorine, fertilizers, lawn pesticides, chemicals, and salt can affect the Stainless Steel components and for these reasons, the warranties DO NOT COVER DISCOLORATION, SURFACE RUST, OR RUST, unless there is a loss of structural integrity/rust through of the appliance components. This warranty covers defects in material and workmanship.***

## **i. WARRANTY ON PARTS:**

- Main Burners –Lifetime (Parts Only)
- Cooking Grids– Lifetime (Parts Only)
- Body – Lifetime (Parts Only)
- Flame Tamers + Heat Zone Separators – Lifetime (Parts Only)
- Warming Rack – Lifetime (Parts Only)
- Valves– Lifetime (Parts Only)
- Ignition, Electronics, and Lighting systems– 1 year (Parts Only)

Consumers are responsible for all shipping costs associated with warranty parts and labor costs over and above \$120.00. All warranty claims are subject to manufacturer review. Please make sure to have your sales receipt information and product serial number located on the outside left side panel of the appliance. All replacement parts can be purchased through your local stocking dealer.



|   |  |   |
|---|--|---|
| 1. pizza oven rack*2PC                        | 10. pizza oven main burner *2PC            | 19. pizza oven rotis tray                 |
| 2. pizza oven housing                         | 11. pizza oven knob *2 PC/ small 1PC       | 20. pizza oven drip tray                  |
| 3. pizza oven door assembly w/ hinge & handle | 12. pizza oven Knob bezel *2PC/small 1PC   | 21. pizza oven wind guard for rear burner |
| 4. pizza oven main burner ignitor cover       | 13. pizza oven gear drive with gears *2 PC | 22. replacement pizza stone               |
| 5. pizza oven halogen lights                  | 14. pizza oven rot forks and rod           | 23. replacement pizza stone rack          |
| 6. pizza oven main burner ignitor *2PC        | 15. pizza oven control panel               | 24. pizza oven wiring harness             |
| 7. pizza oven valve *3PC                      | 16. pizza oven rear burner ignitor         | 25. pizza oven logo                       |
| 8. pizza oven gear drive motor cover          | 17. pizza oven LED lights                  | 26. pizza oven power button               |
| 9. pizza oven rear burner cover               | 18. pizza oven rear burner                 | 27. pizza oven ruglator                   |

**Locating the Product Serial Number:**

The serial number for your BLAZE appliance is located on the left hand outside of the Firebox (see picture on page 14.) You will need this number to properly register your appliance and activate coverage. Write this information in the space provided below for your records

**Appliance**

**model:**

---

**Appliance serial number:**

---

**Type of fuel being used:**

Propane

Natural Gas

**Date purchased:**

---

**Date installed:**

---

**Blaze dealer's name:**

---

**Blaze dealer's address:**

---

**Blaze dealer's phone number:**

---

**Blaze Product Registration**

Please take a minute to let us know what you bought. This makes sure we keep you up to date and have your info ready if you ever need warranty help! You may register your product electronically on the blaze website vs mailing in the below paperwork, [blazegrills.com](http://blazegrills.com).

*First* \_\_\_\_\_

*Last* \_\_\_\_\_

*Email* \_\_\_\_\_

*Phone* \_\_\_\_\_

*Street Address* \_\_\_\_\_

*Address Line 2* \_\_\_\_\_

*City* \_\_\_\_\_

*State / Province / Region*

\_\_\_\_\_

*Zip / Postal Code* \_\_\_\_\_

*Country*

\_\_\_\_\_

*What is the model number of the Blaze Product purchased?*

\_\_\_\_\_  
\_\_\_\_\_

*What is the serial number on the Blaze product?*

\_\_\_\_\_  
\_\_\_\_\_

*Where did you buy your Blaze product?*

\_\_\_\_\_  
\_\_\_\_\_

**Mail To:**

**Blaze Outdoor Products, Warranty Registration, 6620 Greenwell Springs Rd**  
**Baton Rouge, LA 70805**



## GUIDE D'UTILISATION ET D'ENTRETIEN

### FOUR À PIZZA BLZ-26-PZOVN (NG/LP)

#### **DANGER** - SI VOUS SENTEZ DU GAZ :

- 1) Couper l'alimentation en gaz de l'appareil à sa source.
- 2) Éteignez toute flamme nue.
- 3) Ouvrez le capot du gril pour libérer toute accumulation de vapeur de gaz.
- 4) Si une odeur de gaz persiste, éloignez-vous de votre appareil et contactez immédiatement votre fournisseur de gaz ou les pompiers.

#### AVERTISSEMENT

- 1) Ne stockez pas et n'utilisez pas d'essence ou d'autres produits inflammables, liquides ou vapeurs à proximité de celui-ci ou de tout autre appareil
- 2) Une bouteille de GPL non connectée pour utilisation ne doit pas être stockés à proximité de cet appareil ou de tout autre appareil.

### **ATTENTION:**

INSTALLATEUR : VEUILLEZ LAISSER CES INSTRUCTIONS AU CONSOMMATEUR.

CONSOMMATEUR : VEUILLEZ LIRE ET CONSERVER CES INSTRUCTIONS POUR RÉFÉRENCE FUTURE ET AVANT L'INSTALLATION OU L'UTILISATION.

- COORDONNÉES -

---

Produits d'extérieur Blaze :

6620 Greenwell Springs Rd, Baton Rouge, LA 70805

Téléphone : 866-976-9510

CustomerService@BlazeGrills.com

BLAZEGRILLS.COM

Livre d'instructions Blaze Outdoor Products

Page | 1





# Table of Contents

|       |  |         |
|-------|--|---------|
| I.    | Oven Specifications                                  | 4-5     |
| II.   | Unpacking Unit - <b>Please read before unpacking</b> | 5       |
| III.  | General Safety and Installation Warnings             | 6 - 12  |
|       | i. Location of Appliance                             | 11 - 12 |
| IV.   | Electrical Safety and Installation Warnings          | 12- 13  |
| V.    | Gas Safety and Installation Warnings                 | 13- 16  |
|       | i. Gas Leak Warnings                                 | 15      |
|       | ii. Checking for Gas Leaks                           | 15 - 16 |
| VI.   | Gas Connections                                      | 17 - 19 |
|       | i. Natural Gas Requirements                          | 17      |
|       | ii. Liquid Propane Gas and Tank Requirements         | 17      |
|       | iii. Transporting and Storing LP Gas                 | 18 - 19 |
| VII.  | Installing the Appliance in a BBQ Island             | 20 - 23 |
|       | i. Outdoor Kitchen Ventilation                       | 21      |
|       | ii. Building BBQ Specifications and Instruction      | 22      |
|       | iii. Installation Diagrams                           | 23      |
| VIII. | First Time Operation                                 | 24 - 29 |
|       | i. Powering the unit and using digital display       | 24 - 25 |
|       | ii. Lighting the Appliance                           | 25      |
|       | iii. Manually Lighting the Main Burner               | 26 - 27 |
|       | iv. Flame Adjustment                                 | 27 - 28 |
|       | v. Pizza Stone Turnable and Rotisserie Instructions  | 28      |
|       | vi. Using the Rotisserie                             | 29      |
|       | vii. Using the Rear Burner                           | 29      |

|  |         |
|--|---------|
| IX. Cleaning your Appliance                  | 30      |
| X. Fuel Conversion                           | 31 - 33 |
| i. Convertible Gas Regulator (if applicable) | 32      |
| XI. Warranty Registration                    | 34 - 35 |
| <i>i. WARRANTY ON PARTS:</i>                 | 35      |

---

# I. Spécifications du four

Modèle : BLZ - FOUR À PIZZA - LP

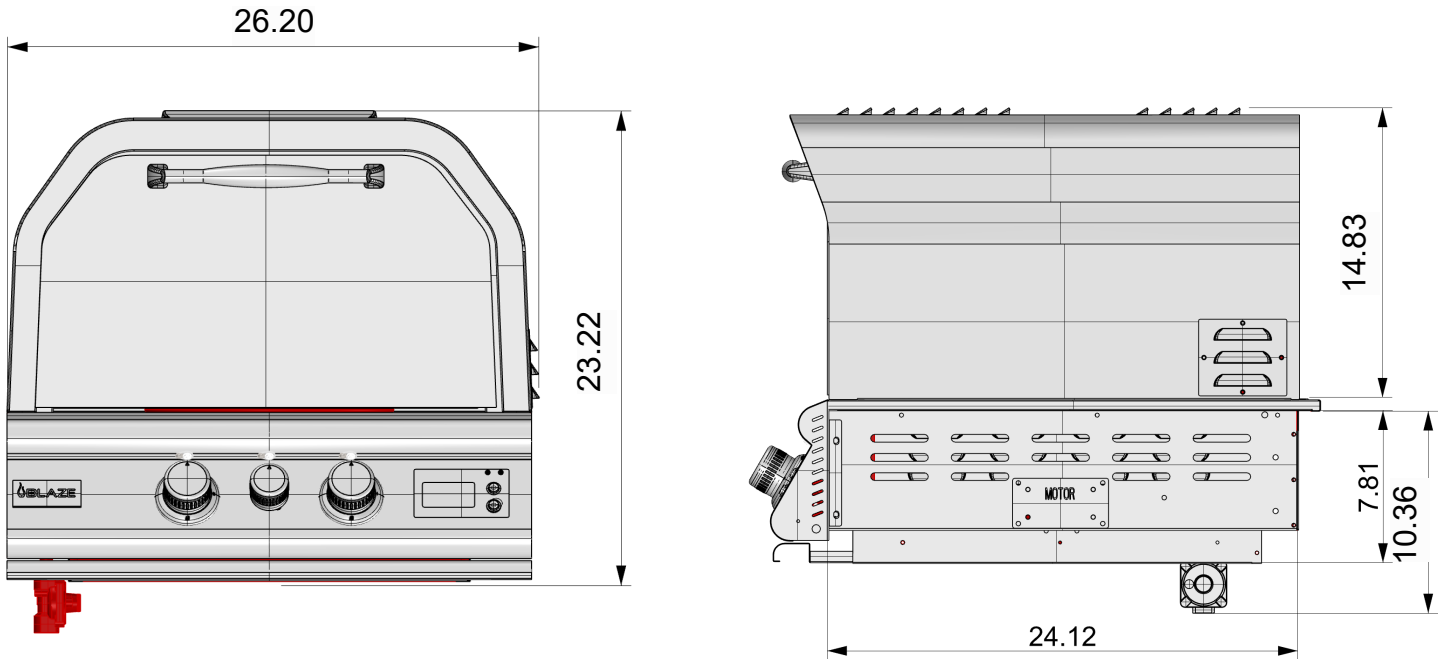


|   |   |
|---|---|
| Dimensions de la découpe<br>23 2/5"L x 21 1/5"P x 8 "H* | *Ces dimensions créent l'espace d'air requis sous cet appareil. Cet espace d'air sert à plusieurs fins, comme empêcher une accumulation de chaleur dans la cavité de l'îlot et aider à fournir une circulation d'air appropriée pour la combustion et/ou les armoires.  |
| Sortie BTU  | 8,000 BTU par brûleur x 2   |
| Veilleuse   | 8,500 BTU   |
| BTU totaux  | 24,500 BTU  |
| Allumage primaire                                       | Lance-flammes Push N' Turn  |
| Allumage secondaire                                     | Bâton d'allumette long  |
| Grille de cuisson<br>Dimensions                         | 20 1/2 P x 16 4/5 W (2 grilles)   |
| Surface de cuisson totale                               | 375 po <sup>2</sup>   |
| Dompteur de flammes                                     | Aucun   |
| Cuisson par zone  | Aucun   |
| Ensemble de rôtisserie<br>(Moteur et fourches)          | Inclus  |
| Brûleur   | Brûleur tubulaire en acier inoxydable   |
| Type de gaz   | Chaque gril contient un NG/LP<br>Trousse d'orifices   |
| garantie  | <p>* Durée de vie limitée - Défauts de fabrication et de fabrication. Grilles de cuisson, Flame Tamers, Heat Zone Separators, boîtier en acier inoxydable ainsi que les brûleurs en acier inoxydable contre la rouille.</p> <p>* Durée de vie limitée sur les vannes</p> <p>*1 an - Allumage, électronique et systèmes d'éclairage</p> <p>*Les appareils doivent être enregistrés dans les 30 jours suivant l'achat pour valider cette garantie.</p> <p>*Voir la section garantie pour plus de détails.</p> |

## CARACTÉRISTIQUES

**REMARQUE : Faites TOUJOURS mesurer l'équipement par l'entrepreneur avant de commencer tout projet.**

\*Ces dimensions créent l'espace d'air requis sous cet appareil. Cet espace d'air sert à plusieurs fins, comme empêcher une accumulation de chaleur dans la cavité de l'îlot et aider à fournir une circulation d'air appropriée pour la combustion et/ou les armoires.



## II. Unité de déballage

Inspection du produit : Une inspection finale de votre produit a lieu à l'usine pour s'assurer qu'un produit de qualité est emballé. Veuillez révéifier les éventuels dommages dus au transport immédiatement après avoir déballé votre grill. S'il s'avère que l'appareil présente des dommages, contactez immédiatement votre revendeur, car le transporteur disposera souvent d'un délai pour signaler les dommages. Veuillez également conserver le matériel d'emballage fourni avec le produit, car il est parfois inspecté par le transporteur.

Attention : Ne laissez pas l'appareil au soleil avec le film protecteur pendant une longue période car cela rendrait le film difficile à enlever et/ou laisserait des marques sur les matériaux qui ne sont pas couverts par la garantie.

Votre appareil Blaze Series est livré pré-assemblé et nécessite très peu de configuration. Nous le faisons cependant; recommandez l'utilisation d'une aide professionnelle lors de l'installation de votre appareil car une installation incorrecte peut affecter votre garantie. Retirez l'appareil de la boîte avec tous les accessoires et vérifiez qu'aucun dommage n'a été causé à l'appareil ou à des pièces. Retirez tous les matériaux d'emballage, les étiquettes et le film plastique de protection avant de commencer la cuisson.

Brûleurs : Vérifiez les tubes des brûleurs et retirez toute obstruction pouvant se trouver dans les orifices ou les trous. L'utilisation d'eau froide et d'une brosse suffira. Assurez-vous que toutes les particules étrangères sont retirées du brûleur avant utilisation. Assurez-vous que l'obturateur d'air sur les brûleurs est légèrement ouvert (à environ 1/8" pour le NG et 1/4" pour le LP).

Lorsque vous avez terminé, assurez-vous que les brûleurs sont alignés avec l'orifice de la vanne et assis dans la fente du support. Ceci est accompli en plaçant d'abord le trou d'obturation du tube du brûleur solidement sur l'orifice de la valve et en s'assurant que la tige mâle sur le brûleur repose dans la fente correspondante à l'arrière du châssis du grill.

### III. Avertissements généraux de sécurité et d'installation



## WARNING



Veillez lire attentivement ce manuel avant d'utiliser votre BLAZE GRILL pour assurer un fonctionnement, une installation et un entretien appropriés et pour réduire les risques d'incendie, de brûlure et/ou d'autres blessures.

Ce manuel doit être conservé pour votre information

#### NOTE:

Une installation et un service ou un entretien incorrects peuvent causer des dommages matériels, des blessures ou la mort. Ne faites pas fonctionner cet appareil sans avoir lu ce manuel.

Toutes les installations de gaz et les conversions de gaz doivent être effectuées par un technicien qualifié ou un agent de service autorisé.

REMARQUE : Cet appareil n'est pas destiné à un usage commercial.



### POUR VOTRE SÉCURITÉ



Si vous sentez une odeur de gaz :

1. Fermez le gaz vers l'appareil.
2. Éteignez toute flamme nue.
3. Si l'odeur persiste, appelez immédiatement votre fournisseur de gaz ou votre service d'incendie.



## WARNING



Le fonctionnement sécuritaire du BLAZE GRILL dépend de sa bonne installation. Seul un installateur professionnel qualifié et un technicien d'entretien doivent effectuer les réglages et l'entretien du gril. Un emplacement et une utilisation appropriés sont essentiels pour assurer un fonctionnement sûr et continu sans problème. Toute modification non approuvée apportée à l'appareil annulera la garantie du produit.

REMARQUE : Le fabricant ne peut être tenu responsable des dommages ou blessures causés par une mauvaise utilisation de cet appareil.

Lorsque vous utilisez votre appareil Blaze, veuillez lire et suivre ces précautions de base :



# WARNING



Pour réduire le risque d'incendie, d'électrocution ou de blessure, lisez et suivez ces précautions de base avant d'installer/d'utiliser votre appareil

## INSTALLATION DE L'APPAREIL

Cet appareil à gaz doit être installé conformément à tous les codes locaux.  
Si l'installation est prévue dans une zone sans codes locaux, l'appareil à gaz doit être installé conformément au National Fuel Gas Code ANSI Z223.1 et au stockage et à la manipulation des gaz de pétrole liquéfiés, ANSI/NFPA 58 ou CSA B149.1 gaz naturel et le code d'installation du propane.



## CALIFORNIA PROPOSITION 65

# WARNING

WARNING: This product can expose you to chemicals including Chromium (hexavalent compounds), which are known to the State of California to cause cancer and birth defects or other reproductive harm.  
For more information go to: [www.p65Warnings.ca.gov](http://www.p65Warnings.ca.gov)



# WARNING



Une installation, un réglage, une modification, un service ou un entretien inappropriés peuvent causer des blessures ou des dommages matériels. Lisez attentivement les instructions d'installation, d'utilisation et d'entretien avant d'installer ou d'entretenir cet équipement.



# WARNING



## RISQUE D'EXPLOSION

N'utilisez pas l'appareil comme lieu de stockage de matériaux inflammables. Gardez la zone dégagée et exempte de matériaux combustibles, d'essence et d'autres vapeurs et liquides inflammables. Le non-respect de cette consigne peut entraîner la mort, une explosion ou des blessures.

Dans le Massachusetts : Tous les produits au gaz doivent être installés par un plombier ou un monteur d'installations au gaz agréé du « Massachusetts ». Une vanne de gaz manuelle de type poignée en « T » doit être installée sur la conduite d'alimentation en gaz de cet appareil. Ceci s'applique aux installations permanentes de gaz naturel et de propane. Cela ne s'applique pas aux installations portables au propane utilisant un réservoir de 20 livres.

Avoir un extincteur ABC accessible en tout temps.

N'essayez jamais d'éteindre un feu de graisse avec de l'eau ou d'autres liquides.

**IMPORTANT :** Consultez l'AHJ (autorité ayant juridiction) ou l'entrepreneur local en cas d'incertitude.



# WARNING



Cet appareil est destiné à une utilisation en extérieur uniquement !

Ne pas utiliser dans un bâtiment, un garage ou tout autre espace clos. Cela pourrait entraîner une accumulation de monoxyde de carbone pouvant entraîner des blessures ou la mort. Les grils ne sont pas conçus ou destinés à être installés près d'une fenêtre ou d'un évent qui pénètre dans la maison.

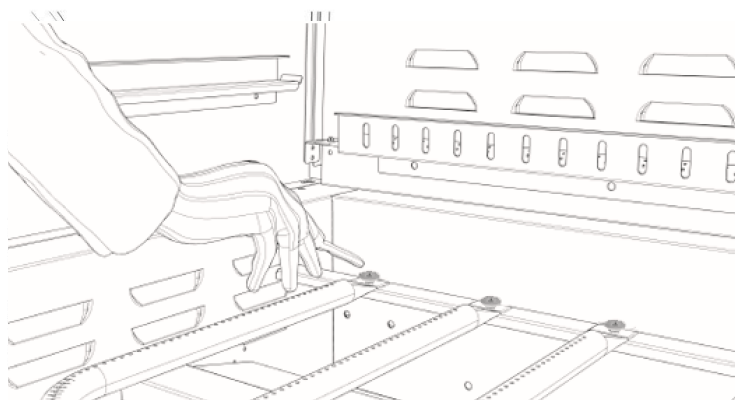
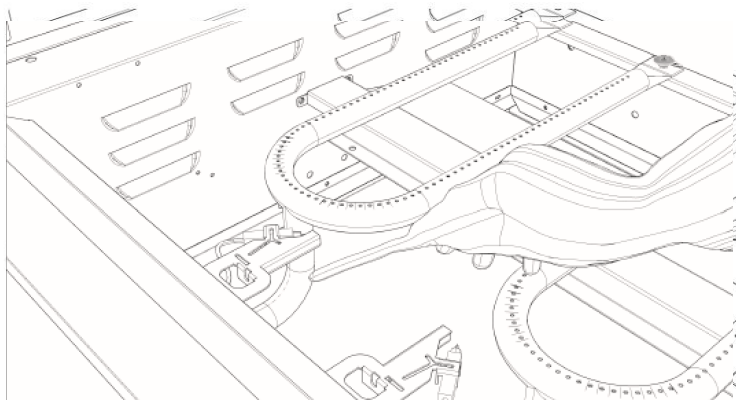


# WARNING

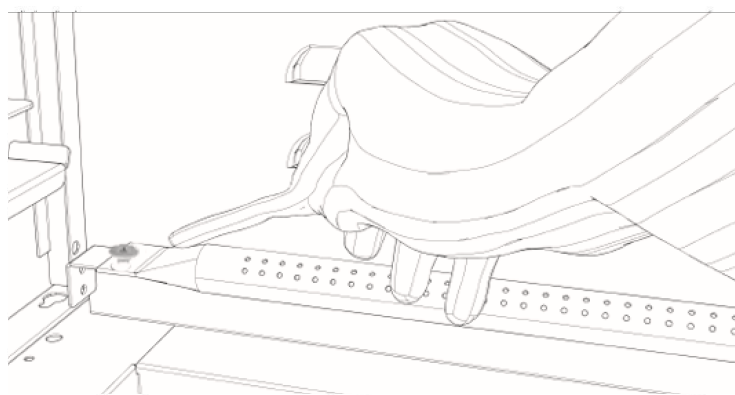
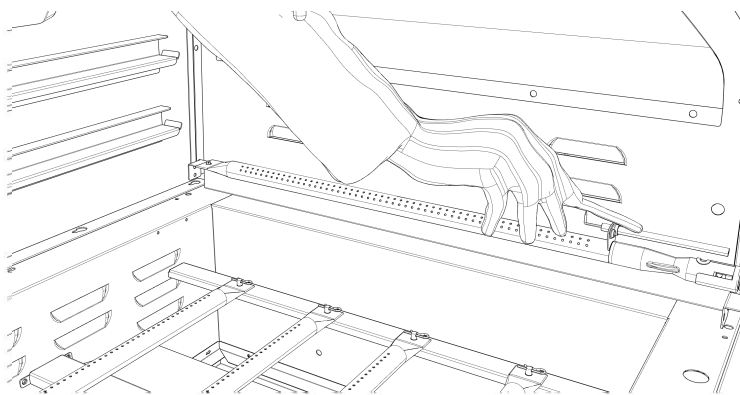


Pour un bon fonctionnement, les brûleurs doivent être alignés avec l'orifice de la vanne et installés dans la fente du support. Ceci est accompli en plaçant d'abord le trou d'obturation du tube du brûleur solidement sur l'orifice de la vanne et en s'assurant que la tige mâle à l'arrière du brûleur repose dans l'ouverture du châssis du four. Le non-respect de cette consigne pourrait entraîner un incendie et des blessures.

Trou d'obturation du tube du brûleur INFÉRIEUR "U" et tige mâle à l'arrière du brûleur vue intérieure



Trou d'obturation du tube du brûleur ARRIÈRE et tige mâle à l'arrière du brûleur vue intérieure



# WARNING



Si le brûleur s les goupilles fendues sont retirées avant l'installation, les brûleurs principaux doivent être revérifiés pour le bon mise au four avant utilisation. Lorsque vous avez terminé, assurez-vous que les brûleurs sont alignés avec l'orifice de la vanne et assis dans la fente du support . Ceci est accompli en plaçant d'abord le trou d'obturation du tube du brûleur solidement sur la valve orifice et en veillant à ce que la tige mâle à l'arrière du brûleur repose dans la fente correspondante du châssis du four.

Le non-respect de cette consigne pourrait entraîner un incendie et des blessures.



# WARNING



## ATTENTION AUX ARAIGNÉES

ATTENTION : LES TUBES DU BRÛLEUR DOIVENT ÊTRE INSPECTÉS ET NETTOYÉS AVANT CHAQUE UTILISATION. Les araignées et les petits insectes tissent parfois des toiles ou font des nids dans les tubes du brûleur. Ces toiles peuvent entraîner une obstruction de l'écoulement du gaz, ce qui pourrait entraîner un incendie dans et autour des tubes du brûleur. Ce type d'incendie est connu sous le nom de "FLASH-BACK" et peut causer de graves dommages à votre appareil et créer une condition de fonctionnement dangereuse pour l'utilisateur. Bien qu'un tube de brûleur obstrué ne soit pas la seule cause de "RETOUR DE FLAMME", c'est la cause la plus fréquente, et une inspection et un nettoyage fréquents des tubes de brûleur sont nécessaires.

### POUR VOTRE SÉCURITÉ

1. Do not store or use gasoline or other flammable vapors and liquids in the vicinity of this or any other appliance.
2. Do not store any propane/butane (G31-G30) cylinder (that is not connected for use) in the vicinity of this or any other appliance.

REMARQUE : Vérifiez auprès de la ville et du service d'incendie les codes du bâtiment locaux.

Un permis peut être requis pour la cuisine extérieure



# WARNING



N'essayez pas de chauffer des récipients non ouverts sur le gril car la pression peut s'accumuler et faire exploser le récipient.

N'utilisez jamais de charbon de bois ou tout autre combustible solide dans le gril.

Ne cuisinez jamais sans la lèchefrite en place.

N'utilisez jamais ce gril sous l'influence de l'alcool ou de drogues.



## Veillez lire toutes les instructions avant d'installer ou d'utiliser votre appareil à gaz pour éviter les blessures et les dommages à l'appareil.

Tous les appareils à gaz deviennent chauds pendant l'utilisation. Soyez extrêmement prudent lorsque vous utilisez l'appareil.

Ne touchez pas les surfaces chaudes. Utilisez toujours la poignée pour ouvrir ou fermer l'appareil. Une

surveillance étroite est nécessaire lorsque cet appareil ou tout autre appareil est utilisé à proximité d'enfants. Éloignez les enfants de l'appareil pendant le fonctionnement et jusqu'à ce que l'appareil ait refroidi.

Ne stockez pas de bouteille ou de réservoir de GPL non connecté pour être utilisé avec l'appareil, dans la zone de ce appareil ou tout autre appareil. Ne rangez jamais une bouteille ou un réservoir de GPL à l'intérieur ou à la portée des enfants

Ne testez jamais l'appareil pour des fuites de gaz à l'aide d'une allumette allumée ou de toute autre flamme nue ; voir test de fuite procédures utilisant des solutions d'eau savonneuse - voir la section sur les tests de fuite

L'utilisation d'accessoires, de régulateurs ou de composants non recommandés par le fabricant de l'appareil peut entraîner des blessures et annulera la garantie.

N'allumez jamais l'appareil avec la porte fermée et assurez-vous que les brûleurs sont positionnés et assis au-dessus des vannes de gaz et sur le support des brûleurs.

Ne vous penchez jamais sur la surface de cuisson lorsque vous allumez ou utilisez l'appareil. Utilisez

des ustensiles de cuisine avec des manches en bois et des gants isolants lorsque vous utilisez l'appareil. Ne rien ranger dans

l'appareil. Assurez-vous que des aliments ne sont pas oubliés dans l'appareil ; objets oubliés pourrait fondre ou s'enflammer lorsque l'appareil est allumé.

Pour éviter les blessures, n'utilisez pas d'accessoires non recommandés par le fabricant. Avant de nettoyer l'appareil,

débranchez le cordon d'alimentation. N'utilisez jamais l'appareil dans des

conditions venteuses. Si situé dans une zone constamment venteuse (bord de mer, sommet d'une montagne, etc.) un brise-vent sera nécessaire. Les vents soufflant dans ou à travers l'évent supérieur du capot ou dans la porte peuvent entraîner de mauvaises performances et / ou provoquer une surchauffe dangereuse du panneau de commande et des boutons.

Ouvrez toujours la porte de l'appareil avec précaution, en utilisant uniquement la poignée - la porte peut être chaude.

Les enfants ne doivent pas être laissés seuls ou sans surveillance dans une zone où un appareil est en cours d'utilisation. Ils devraient ne jamais être autorisé à toucher, s'asseoir ou se tenir debout sur une quelconque partie de l'appareil.

Ne rangez pas d'objets intéressants pour les enfants dans les armoires au-dessus de l'appareil ou dans l'appareil. Enfants grimper sur l'appareil pour atteindre ces objets peut être gravement blessé.

Portez des vêtements appropriés lorsque vous utilisez cet appareil. Ne jamais porter de vêtements amples ou suspendus pendant l'utilisation de l'appareil.

Ne laissez pas l'appareil sans surveillance pendant son utilisation.

N'utilisez pas d'eau sur les feux de graisse ! Une violente explosion de vapeur peut en résulter. Au lieu de cela, étouffez le feu avec un extincteur ABC polyvalent.

## je. Emplacement de l'appareil

Plus important encore, il s'agit d'un appareil d'extérieur. Assurez-vous que votre appareil est positionné loin de tout ce qui peut prendre feu.

Cet appareil ne doit en aucun cas être utilisé à l'intérieur. Cela comprend les garages ou tout autre garage fermé zone.

Cet appareil de cuisson au gaz d'extérieur n'est pas approuvé pour être installé dans ou sur des véhicules récréatifs et/ou des bateaux. Flamber appareils électroménagers sont à usage unifamilial/résidentiel uniquement.

Lors de la détermination d'un emplacement approprié, tenez compte des préoccupations telles que l'exposition au vent, la proximité des voies de circulation et le maintien des conduites d'alimentation en gaz aussi courtes que possible. Ne stockez pas de matériaux combustibles, d'essence ou de liquides ou de vapeurs inflammables autour de l'appareil.

Ce four Blaze doit être situé à l'extérieur uniquement. Comme pour tout appareil à gaz, du monoxyde de carbone nocif est produit pendant le processus de combustion et ne doit pas s'accumuler dans un espace confiné.

Veuillez noter que puisque l'air chaud s'élève au-dessus du four Blaze pendant son fonctionnement, les endroits couverts doivent être évités. Ne placez pas le four Blaze à un endroit où un surplomb ou un auvent pourrait le couvrir.

**NE PAS obstruer** le flux d'air de combustion et de ventilation vers cet appareil. Gardez les cordons

d'alimentation électrique et les tuyaux d'alimentation en carburant à l'écart de toute surface chauffée et/ou coupante, bords agressifs.

### Enceinte non combustible :

Le four Blaze doit être installé UNIQUEMENT dans une ENCEINTE NON COMBUSTIBLE. La détermination de si un emplacement est une construction combustible ou incombustible, c'est le prévôt des incendies local, l'inspecteur en bâtiment ou l'autorité de sécurité locale compétente.

Dégagement des combustibles : assurez-vous que votre appareil reste à une distance d'au moins 14" des côtés et à 5 pouces de l'arrière de tout matériau combustible tel que le bois, le gypse, le papier et les plantes. Ne stockez pas de matériaux combustibles, d'essence ou de liquides ou de vapeurs inflammables autour de l'appareil. La structure de la cuisine extérieure elle-même doit être entièrement construite à partir de matériaux incombustibles.

Ventilation adéquate : assurez-vous qu'il y a une ventilation adéquate pour l'appareil, le chariot du grill et/ou la cavité de l'îlot. Ceci est nécessaire non seulement pour une bonne combustion, mais aussi pour éviter l'accumulation de gaz. Bien que la quantité de ventilation requise varie au cas par cas, consultez votre professionnel agréé local et le code local pour connaître les exigences de ventilation adéquates. Gardez les ouvertures de ventilation de l'enceinte libres et exemptes de tout débris.

Surface plane et ferme : Utilisez votre appareil uniquement sur une surface plane et ferme. Cet appareil n'est pas conçu pour les véhicules récréatifs et ne doit pas être installé sur un bateau ou une embarcation marine.

Protection contre les intempéries : gardez l'appareil à l'abri des intempéries, y compris la pluie et le vent.

Le vent, en particulier à l'arrière du grill, peut empêcher l'échappement de s'échapper du grill. Cela peut sauvegarder la chaleur derrière le panneau de commande, créant potentiellement une fuite de gaz, des dommages au produit et des blessures.

Accès pour la maintenance : lorsque votre appareil est installé, vous devriez pouvoir accéder à la conduite d'alimentation en gaz y compris la tuyauterie ou le tuyau de gaz, le régulateur de gaz, la bouteille de gaz et toutes les vannes d'arrêt. Laisser un accès dégagé à l'ensemble du tuyau d'alimentation en gaz et du régulateur.

Clôtures partielles : de nombreuses cours arrière ont des zones partiellement fermées, comme des balcons et des pergolas. Dans certains cas, il est difficile de décider si ces espaces partiellement clos doivent être qualifiés d'espaces intérieurs, notamment en termes de ventilation permanente (non refermable). Consultez l'AHJ (autorité ayant juridiction) ou l'entrepreneur local en cas d'incertitude. Cet appareil de cuisson au gaz extérieur ne doit pas être situé dans une application intérieure.

#### Lors de l'installation d'un appareil Blaze sous une construction aérienne :

- o Un minimum de 6 pieds de dégagement est requis entre le comptoir et le plafond construction.
- o Lorsqu'il est installé sous une construction aérienne combustible, la zone au-dessus de l'appareil Blaze doit être recouverte d'une hotte de ventilation. La hotte de ventilation doit fournir une protection pour la construction supérieure combustible.
- o Il est impératif qu'un appareil Blaze ne soit pas installé sous des plafonds combustibles non protégés construction.
- o Lorsqu'elle est installée sous une construction aérienne incombustible, une hotte de ventilation est toujours recommandé. Les appareils à gaz produisent une grande quantité de fumée. La zone couverte doit être correctement ventilée.
- o Lors de l'utilisation d'une hotte de ventilation, la zone au-dessus de la surface de cuisson du four doit être recouverte d'une hotte de ventilation plus grande que la surface de cuisson du four et d'un minimum de 1000 CFM pour une application extérieure appropriée.

## IV Avertissements de sécurité et d'installation électriques

---

Des rallonges peuvent être utilisées si elles sont utilisées avec précaution. Si une rallonge est utilisée, veuillez suivre les directives ci-dessous :

La puissance électrique marquée du cordon ou de la rallonge doit être au moins égale à la puissance électrique de l'appareil.

Le cordon doit être disposé de sorte qu'il ne touche pas les surfaces chaudes, les arêtes vives ou qu'il ne recouvre comptoir ou dessus de table (où il peut être tiré ou trébucher involontairement).

Les rallonges extérieures doivent être utilisées avec des produits adaptés à une utilisation en extérieur. Ils sont marqués en surface avec les lettres suffixes "W" ou "WA" et avec une étiquette indiquant "Convient pour une utilisation avec des appareils extérieurs".

Pour se protéger contre les chocs électriques, le cordon d'alimentation et la fiche doivent être maintenus au sec et hors du sol. Ne nettoyez pas ce produit avec de l'eau pulvérisée ; ne vaporisez pas de nettoyeurs dans la zone de la douille de la lampe.

L'essence, l'essence à briquet ou d'autres liquides et vapeurs inflammables ne doivent jamais être stockés dans la zone de ce appareil ou tout autre appareil.

Avant l'installation ou l'entretien, débranchez l'alimentation électrique de la zone de travail en retirant le fusible, "déclencher" le disjoncteur ou débrancher l'appareil.

REMARQUE : Utilisez un disjoncteur de 15 A avec protection GFI.

REMARQUE : Ce four utilise un « transformateur » pour alimenter les lumières DEL et les lumières internes. Ce schéma montre la connexion au transformateur.



Gardez tout cordon d'alimentation électrique et tuyau d'alimentation en carburant à l'écart des surfaces chauffées, des arêtes vives et des gouttes de graisse.

Assurez-vous que votre appareil est correctement installé et mis à la terre par un technicien qualifié conformément aux codes applicables. Pour garantir la sécurité électrique de cet appareil, une continuité doit exister entre l'appareil et une mise à la terre efficace. Il est impératif que cette exigence fondamentale de sécurité soit respectée.

Le fabricant ne peut être tenu responsable des dommages causés par l'absence ou l'insuffisance d'un système de mise à la terre efficace.

N'utilisez aucun appareil avec un cordon d'alimentation ou une fiche d'alimentation endommagés, et n'utilisez aucun appareil après qu'il ait mal fonctionné ou ait été endommagé de quelque manière que ce soit. Si cela devait se produire, renvoyez l'appareil au service après-vente agréé le plus proche pour examen, réparation ou réglage.

Cet appareil est conforme à tous les codes de sécurité électrique uniformes et aux règlements de mise à la terre électrique. Installez l'unité conformément aux codes locaux IAW ou au National Electrical Code ANSI/NFPA 70 ou CSA C22.1 en leur absence.

## V. Avertissements de sécurité et d'installation du gaz

- Tous les raccordements au gaz doivent être effectués par un technicien professionnel qualifié et conformément aux codes et ordonnances locaux. L'installation doit être conforme aux codes locaux ou, en l'absence de codes locaux, au code national du gaz combustible, ANSI Z223.1/NFPA 54, ou CAN/CGA-B149.1, Code d'installation du gaz naturel ou CAN/CGA B149 .2, Code d'installation du propane.
- Vérifiez toujours la plaque signalétique pour vous assurer que l'alimentation en gaz à laquelle vous vous connectez correspond au type de gaz pour lequel l'appareil est fabriqué.
- Vérifiez l'étiquette signalétique sur la gauche à l'extérieur de l'appareil.



EMPLACEMENT DE LA PLAQUE SIGNALÉTIQUE

- Ne tordez pas le tuyau d'alimentation en gaz. •

Avant chaque utilisation, inspectez visuellement le tuyau d'alimentation en gaz pour des fissures, des coupures ou une usure excessive. Remplace le tuyau si nécessaire. Vérifiez les fuites de gaz avant chaque utilisation.

- Spécifications du gaz : assurez-vous que le gaz fourni à l'appareil est conforme au modèle que vous avez acheté. Un appareil au gaz naturel nécessite du gaz naturel pour fonctionner ; un appareil au GPL nécessite du gaz propane liquide pour fonctionner.
- Ne raccordez jamais l'appareil à une conduite d'alimentation en gaz non régulée. Les appareils fonctionnant sans régulateur sont dangereux et ne seront pas entretenus tant qu'ils n'auront pas été installés correctement et en toute sécurité. Un fonctionnement dangereux sans régulateur de gaz annulera la garantie de l'appareil.
- Les appareils fonctionnant au gaz GN (gaz naturel) doivent être installés avec le régulateur de GN fourni avec l'appareil et réglé à une pression de colonne d'eau de 4,0".
- Les appareils fonctionnant au GPL (propane liquide) doivent être installés avec un régulateur de GPL réglé sur 11" pression de la colonne d'eau.
- Veuillez contacter votre revendeur et faire appel à un entrepreneur ou un installateur agréé pour convertir votre appareil au type de gaz différent.

VÉRIFIEZ QUE LE TUYAU D'ALIMENTATION EN GAZ N'ENTRE PAS EN CONTACT AVEC UNE SURFACE CHAUDE, DES BORDS COUPANTS OU RUGUEUX DU GRIL OU DE LA CUISINE EXTÉRIEURE. NE PAS TORDRE LA CONDUITE DE GAZ LORS DE L'INSTALLATION.

L'appareil autonome du système LP est certifié pour être utilisé avec un cylindre standard de 20 lb, 12 1/4 "de diamètre; 18" de haut avec des filetages de connexion à droite et c'est la taille maximale du réservoir LP à utiliser. La bouteille doit être marquée conformément aux dernières spécifications du Département américain des transports pour les bouteilles de GPL. (DOT. CFR49 ou Normes nationales du Canada CAN/CSA-B359 Cylindres, sphères et tubes pour le transport de marchandises dangereuses) un réservoir de propane avec un dispositif antidébordement ODP) doit être utilisé en tout temps.

**IMPORTANT : ne connectez jamais grillades, fours ou tout autre appareil à un gaz non réglementé fournir.**

S'il existe des codes locaux qui s'appliquent aux grils et fours extérieurs, vous devrez les confirmer auprès des autorités locales.

L'installation doit être conforme aux codes locaux ou, en l'absence de codes locaux, au National Fuel Gas Code, ANSI Z223.1/NFPA 54 et au Natural Gas Installation Code, CSA B149.1. Toutes les installations de gaz naturel doivent être conformes aux codes locaux ou, en l'absence de codes locaux, au code national du gaz combustible, ANSIZ2223.1a-1998.

S'il existe des codes locaux qui s'appliquent aux brûleurs extérieurs, vous devrez vous y conformer. L'installation doit être conforme aux codes locaux ou, en l'absence de codes locaux, au Code d'installation du propane, CSA B149.1, ou au Code d'entreposage et de manutention du propane, B149.2, selon le cas.

L'installation au Canada doit être conforme à la norme CAN/CGA-B149.2.

Un entrepreneur agréé ou un représentant de la compagnie de gaz locale doit effectuer tous les raccordements de gaz.

Assurez-vous que le service alimentant l'appareil est équipé d'une vanne d'arrêt judicieusement positionnée à proximité de l'appareil et permettant un accès facile.

L'appareil et sa vanne d'arrêt individuelle doivent être déconnectés du système de tuyauterie d'alimentation en gaz lors de tout test de pression de ce système.



# WARNING



## je. Avertissements de fuite de gaz

La recherche et/ou la réparation d'une fuite de gaz N'EST PAS une procédure « À FAIRE VOUS-MÊME » - FAITES UNIQUEMENT APPEL À UN PROFESSIONNEL. NE JAMAIS UTILISER LE FOUR SANS D'ABORD TESTER LES CONNEXIONS DE GAZ, Y COMPRIS TOUTES LES SOUPAPES, LES RACCORDS, LES CONDUITES, ETC. (TOUTES LES CONNEXIONS DE GAZ DOIVENT ÊTRE VÉRIFIÉES)

AVERTISSEMENT : N'UTILISEZ PAS DE FLAMME NUE POUR VÉRIFIER LES FUITES. L'UTILISATION D'UNE FLAMME NUE POURRAIT ENTRAÎNER UN INCENDIE, UNE EXPLOSION ET DES BLESSURES CORPORELLES.

NE PAS FUMER PENDANT LE TEST DE FUITE. Toute flamme nue enflammera le gaz. Pour éviter tout risque d'incendie ou d'explosion, effectuez un test de fuite à l'extérieur uniquement. Vérifiez que les tuyaux flexibles ne présentent pas de coupures et d'usure susceptibles d'affecter la sécurité avant chaque utilisation. Seuls le tuyau et le régulateur fournis par l'usine doivent être utilisés. Utilisez uniquement les ensembles de régulateur et de tuyau de rechange spécifiés par BLAZE OUTDOOR PRODUCTS.

## ii. Recherche de fuites de gaz

Effectuez un test d'étanchéité avant chaque utilisation. De plus, chaque fois que la bouteille de gaz est connectée au régulateur ou chaque fois qu'une partie du système de gaz est déconnectée ou remplacée, effectuez un test de fuite.

Par mesure de sécurité, n'oubliez pas de toujours tester votre appareil à l'extérieur dans un endroit bien ventilé. Ne fumez jamais et ne laissez jamais des sources d'ignition dans la zone pendant que vous effectuez un test de fuite. N'utilisez pas de flamme, telle qu'une allumette allumée, pour tester les fuites. Utilisez une solution d'eau savonneuse.

Préparer une solution de test de fuite d'eau savonneuse en mélangeant dans un flacon pulvérisateur une partie de savon liquide à une partie eau.

Assurez-vous que tous les boutons de commande sont en position "OFF".

Ouvrez le gaz.

o Sur les systèmes au gaz naturel, tournez la vanne d'alimentation principale vers l'appareil. o Sur les

systèmes au GPL, tournez le bouton du robinet de la bouteille d'un tour dans le sens inverse des aiguilles d'une montre pour l'ouvrir.

Appliquez la solution de détection d'étanchéité en la pulvérisant sur les joints du système d'alimentation en gaz. Cela inclut toutes les vannes, raccords de tuyaux, joints, conduites et tous les points depuis la source de gaz jusqu'aux brûleurs.

Faire des bulles dans la solution de savon et/ou il y a une légère odeur de gaz (Généralement, le gaz a une odeur d'œuf) indique qu'une fuite est présente. N'essayez pas d'allumer le four .

Remettez tous les boutons de commande en position OFF. Arrêter

une fuite en resserrant le joint desserré et/ou en refermant avec du mastic pour filetage ou du ruban Téflon, en enlevant le mastic ou le ruban en cas de raccord évasé ou en remplaçant la pièce défectueuse par une pièce de rechange recommandée par le fabricant. N'essayez pas de réparer le robinet de la bouteille s'il est endommagé. La bouteille doit être jetée dans un emplacement approprié pour le réservoir de GPL, puis remplacée.

Si vous ne parvenez pas à arrêter une fuite, remettez tous les boutons de commande en position OFF, coupez l'alimentation en gaz de l'appareil et relâchez la pression dans le tuyau et le collecteur en poussant et en tournant l'une des vannes de commande d'un quart de tour dans le sens inverse. dans le sens des aiguilles d'une montre.

Sur les systèmes LP, retirez la bouteille de l'appareil. Appelez un technicien d'entretien d'appareils à gaz agréé ou un revendeur de GPL.

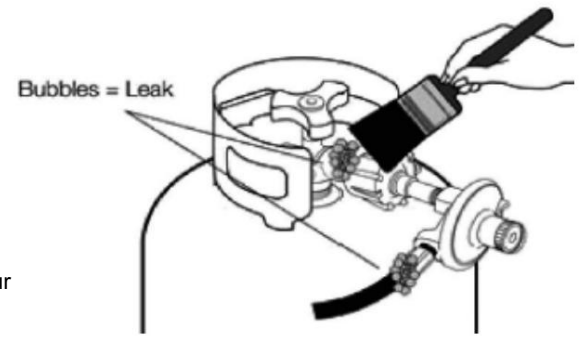


# WARNING



N'utilisez pas l'appareil tant que la fuite n'est pas corrigée.

Le schéma ci-contre est destiné à montrer à quoi ressemblerait une connexion qui fuit. Ces deux emplacements ne sont pas les seuls points à vérifier ni les seules zones potentielles de présence de fuite de gaz.



EX : Solution de test de fuite d'eau savonneuse en mélangeant dans un flacon pulvérisateur une partie de savon liquide pour une partie d'eau.

Tous les tuyaux et raccords de gaz doivent être testés pour détecter les fuites après l'installation ou l'entretien ainsi qu'avant chaque utilisation. Cela comprend toutes les vannes, les raccords de tuyauterie, les joints, les conduites et tous les points allant de la source de gaz aux brûleurs.

Le diagramme suivant est à titre informatif seulement. Ces emplacements ne sont pas les seuls points à vérifier ni les seules zones potentielles de présence de fuite de gaz. Assurez-vous que le test de fuite comprend toutes les vannes, les raccords de tuyauterie, les joints, les conduites et tous les points allant de la source de gaz aux brûleurs.

Toutes les fuites doivent être corrigées immédiatement. Rappelez-vous avant d'échanger une bouteille vide contre une nouvelle ; assurez-vous que toutes les soupapes de commande sont en position « off ». Cela peut créer un faible débit de gaz à travers le grill. Cela nécessiterait que le réservoir soit déconnecté du régulateur, puis reconnecté pour réinitialiser le régulateur.

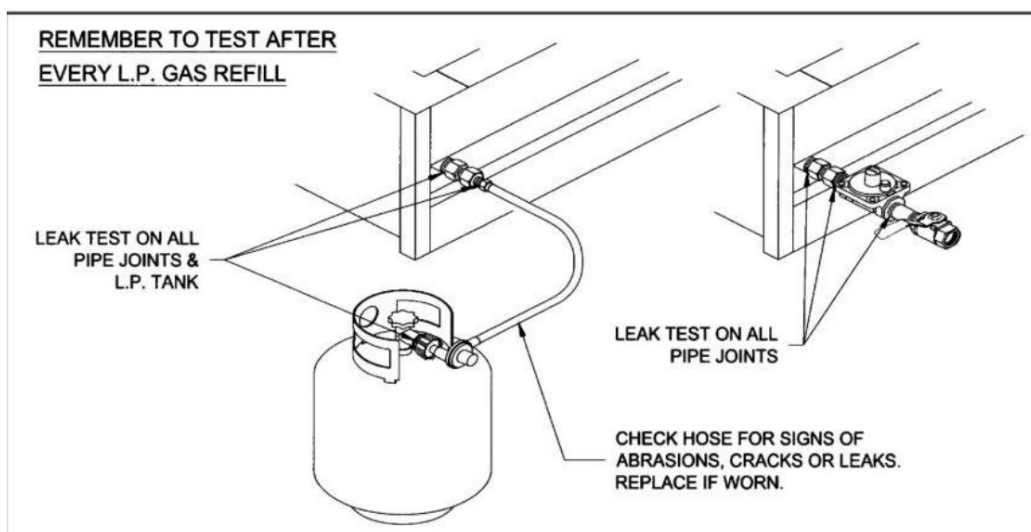
Ouvrez la vanne (fermeture ou réservoir LP 'ON'). Testez les fuites en appliquant une solution de savon liquide sur tous les joints. La formation de bulles indique une fuite de gaz.



# WARNING



NE JAMAIS UTILISER UNE FLAMME NUE POUR VÉRIFIER LES FUITES



## VI. Raccordements au gaz

### je. Besoins en gaz naturel

Connectez un raccord flexible de gaz naturel approprié au régulateur du gril situé dans le coin arrière droit de l'appareil. Il est recommandé d'utiliser un connecteur flexible d'au moins 1/2" de diamètre ou plus.

Sceller tous les raccords non évasés avec du mastic pour filetage ou du ruban Téflon.

Assurez-vous que le connecteur flexible est protégé des arêtes vives, de la chaleur, des surfaces agressives et des torsions. Vérifiez

les commandes de l'appareil pour vous assurer que toutes les vannes de commande sont en position complètement

fermée. Ouvrez l'alimentation principale en gaz et vérifiez toutes les connexions pour détecter les fuites à l'aide d'eau savonneuse comme décrit dans la section de procédure de test de fuite.

Le régulateur utilisé doit être réglé pour une colonne d'eau de 4 po et doit être utilisé uniquement avec du gaz naturel. Remarque : La plupart des détendeurs basse pression ont une flèche directionnelle indiquant la direction dans laquelle le gaz doit se déplacer. Assurez-vous que la flèche pointe dans la direction du gril.

Un robinet d'arrêt de gaz fourni par l'installateur doit être installé dans un endroit accessible.

### ii. Exigences relatives au gaz propane liquide (GPL) et au réservoir

- Si votre four BLAZE est destiné à une application au propane liquide, un régulateur LP réglé pour 11" WC doit être utilisé et est destiné à être utilisé avec du gaz LP uniquement.

- Le régulateur et le tuyau fournis doivent être utilisés avec une bouteille de GPL de 20 lb. •

- Un collier pour protéger les filetages du cylindre sur le réservoir fourni par le client. • Un

- dispositif de soutirage des vapeurs de gaz. • Un dispositif

- de décharge de sécurité communiquant directement avec l'espace vapeur de la bouteille. • Une méthode de

- montage. • L'alimentation en gaz

- doit être fermée au niveau de la bouteille d'alimentation en GPL et la bouteille d'alimentation en GPL doit être débranchée du régulateur lorsque cet appareil de cuisson au gaz extérieur n'est pas utilisé. • Placez toujours la bouteille en

- position verticale de façon à ce que le robinet de la bouteille soit en haut. Cela assurera bon retrait de la vapeur.

- La bouteille ne doit pas être entreposée dans un bâtiment, un garage ou tout autre espace clos. Il doit être stocké à l'extérieur dans un endroit protégé, frais et sec, hors de portée des enfants.

- Ne stockez jamais de bouteilles de gaz de rechange ou supplémentaires autour ou dans la cuisine extérieure contenant le BLAZE FOUR ou toute autre flamme nue, appareil(s) produisant de la chaleur ou source de chaleur





# WARNING



Remplissage et remplissage des bouteilles de GPL :

Toutes les purges et remplissages des bouteilles de GPL doivent être effectuées par du personnel qualifié dans l'industrie du GPL.

Ne rangez jamais une bouteille de GPL de recharge sous ou à proximité de cet appareil.

Ne remplissez jamais la bouteille de GPL à plus de 80 %.

Le non-respect de ces instructions peut entraîner une explosion, des blessures corporelles ou la mort.

Tourner les boutons de commande et le robinet de la bouteille en position OFF. Dévisser la soupape. Retirez la bouteille et faites-la remplir chez votre revendeur local de propane qualifié.

Une fois rempli, connectez soigneusement la vanne et assurez-vous qu'elle est sécurisée et qu'elle ne fuit pas. Avec les boutons de commande en position OFF, ouvrez le robinet de la bouteille.

Si vous sentez une odeur de gaz ou entendez un sifflement de gaz s'échapper du réservoir, éloignez-vous du réservoir et n'essayez pas de corriger le problème vous-même. Appelez immédiatement les pompiers.

Si votre appareil ne présente aucune fuite au niveau du cylindre, vérifiez à nouveau les connexions desserrées et testez à nouveau les fuites en utilisant la méthode détaillée dans les pages suivantes avec une solution savonneuse.

Ne soumettez pas votre bouteille de GPL à une chaleur excessive et rangez-la toujours en position verticale. N'entreposez jamais vos bouteilles de GPL à l'intérieur. Assurez-vous

que lors de la fixation des composants, toutes les connexions sont sécurisées et complètement serrées pour éviter fuite.



# WARNING



Vérifiez toujours les fuites avant chaque utilisation.

S'il n'y en a pas déjà un, il est nécessaire qu'une vanne d'arrêt MARCHE-ARRÊT soit installée à la source d'alimentation en gaz et que l'alimentation en gaz soit fermée lorsque les appareils au gaz naturel ou au GPL ne sont pas utilisés dans

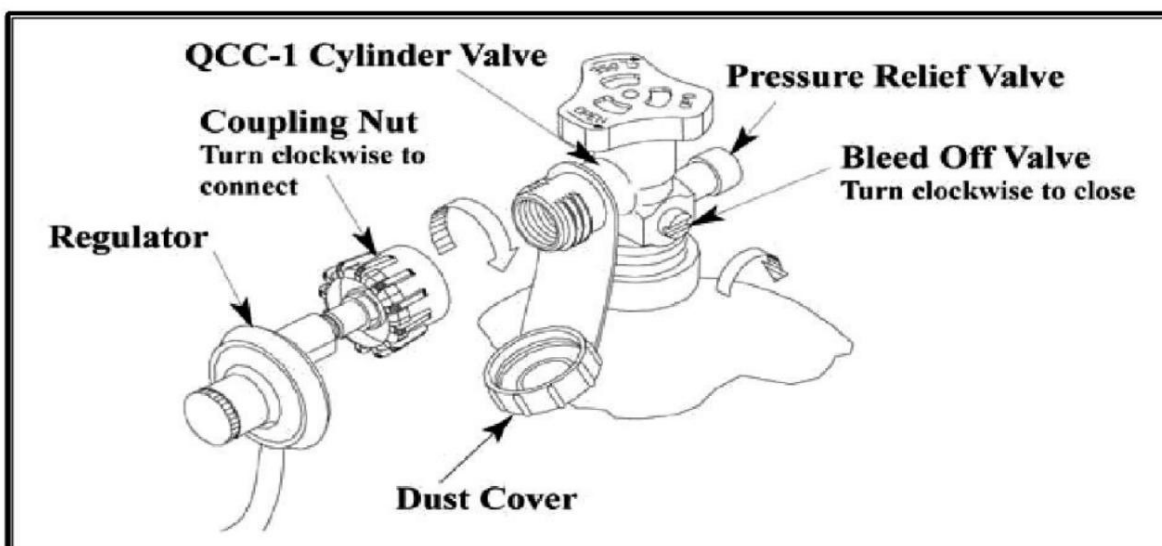
## iii. Transport et stockage de GPL

Transportez une seule bouteille à la fois. Assurez-vous que la bouteille est fixée en position verticale avec la soupape de commande fermée et le capuchon anti-poussière en place. Rangez les bouteilles à l'extérieur et hors de la portée des enfants. Ne stockez pas les bouteilles dans un bâtiment, un garage ou tout autre espace clos.

### Procédure de connexion de la bouteille de GPL (20 lb)

La bouteille de GPL doit être conforme aux spécifications pour les bouteilles de GPL du ministère des Transports des États-Unis ou à la norme nationale du Canada, CAN/CSA-B339. La taille de base du réservoir est de 12" de diamètre et 18" de haut avec une soupape de cylindre QCC1.

1. Tournez le « volant » sur la bouteille dans le sens des aiguilles d'une montre jusqu'à ce qu'il s'arrête pour vous assurer que la valve de la bouteille est complètement fermée.
2. Tournez tous les boutons des brûleurs à la position OFF.
3. Connectez l'extrémité évasée 3/8" du tuyau à l'extrémité évasée 3/8" du raccord en laiton sur l'appareil à l'aide d'une clé à fourche 3/4". Ne pas appliquer de produit d'étanchéité pour tuyau. (Ce sont des raccords évasés).  
Remarque : N'oubliez pas que la conduite en caoutchouc du tuyau et du régulateur doit être protégée des arêtes vives, des surfaces chaudes et des matériaux de construction agressifs qui pourraient couper, fondre ou endommager la conduite. Une conduite de gaz approuvée séparée peut être nécessaire pour passer entre le tuyau et le régulateur et le four pour positionner la conduite en caoutchouc dans un endroit sûr.
4. Connectez le régulateur à la bouteille de GPL. Ne serrez le régulateur qu'à la main.
5. Vérifiez les fuites à l'aide d'une solution d'eau savonneuse en pulvérisant sur toutes les connexions, y compris toutes les vannes, raccords, conduites, etc. (toutes les connexions de gaz ont la capacité de fuir et il est donc essentiel de vérifier les fuites avant chaque utilisation)
6. Pour débrancher après avoir utilisé l'appareil, tournez les boutons des brûleurs en position OFF.
7. Fermez le robinet de la bouteille en tournant le volant dans le sens inverse des aiguilles d'une montre jusqu'à ce qu'il s'arrête.
8. Débranchez le régulateur de la bouteille de propane après utilisation.



## VII. Installation de l'appareil dans un îlot BBQ

Vous aurez besoin d'une deuxième personne pour vous aider à éviter d'endommager l'appareil ou votre îlot.

REMARQUE : Vérifiez auprès de la ville et du service d'incendie les codes du bâtiment locaux. Un permis peut être requis pour la construction d'une cuisine extérieure.



Assurez-vous que tous les dégagements aux matériaux combustibles sont maintenus. (Voir page 11). L'îlot doit être réalisé en matériau incombustible. En cas de combustible, l'utilisation d'une gaine isolante est OBLIGATOIRE.



### Protection contre les intempéries

Gardez l'appareil à l'abri des intempéries, y compris la pluie et le vent. Le vent, en particulier à l'arrière du gril, peut empêcher l'échappement de s'échapper du gril. Cela peut sauvegarder la chaleur derrière le panneau de commande, créant potentiellement une fuite de gaz, des dommages au produit et des blessures. Un pare-vent derrière la grille peut être nécessaire.

Étapes d'installation :

- Faites glisser l'appareil dans la découpe, puis fixez la conduite de gaz. • Faites très attention à ne pas plier la conduite de gaz lorsque vous abaissez l'appareil dans la découpe. • Gardez vos doigts éloignés de l'endroit où l'appareil sera appuyé sur le comptoir. Vos doigts pourraient se coincer et des blessures graves pourraient survenir.
- Assurez-vous que l'appareil est de niveau et soutenu sur tout le pourtour extérieur. Si l'appareil n'est pas de niveau ou est instable, utilisez des cales incombustibles sous la lèvre extérieure pour la stabiliser.



Le fait de ne pas ventiler adéquatement la cavité de votre cuisine extérieure pourrait entraîner une explosion ou un incendie.

Lors de la construction d'un appareil à gaz dans une cuisine extérieure, il est nécessaire de fournir une ventilation adéquate pour la cavité de l'îlot en dessous. Ceci est nécessaire non seulement pour une bonne combustion, mais aussi pour éviter une accumulation de gaz. Bien que la quantité de ventilation requise pour votre îlot varie en raison de la variété des différents codes locaux, du cadre intérieur et de la conception d'une cuisine extérieure, de la quantité de produits à gaz installés et de leurs emplacements, etc., toutes les applications/îlots intégrés doivent être aéré d'une certaine manière. Votre entrepreneur local et/ou votre autorité de code local peuvent déterminer une ventilation adéquate pour chaque installation. Des panneaux de ventilation en acier inoxydable sont disponibles auprès de votre revendeur pour couvrir la ventilation de l'îlot.

Les informations suivantes sont importantes à prendre en compte lorsque vous respectez les exigences de votre code local :

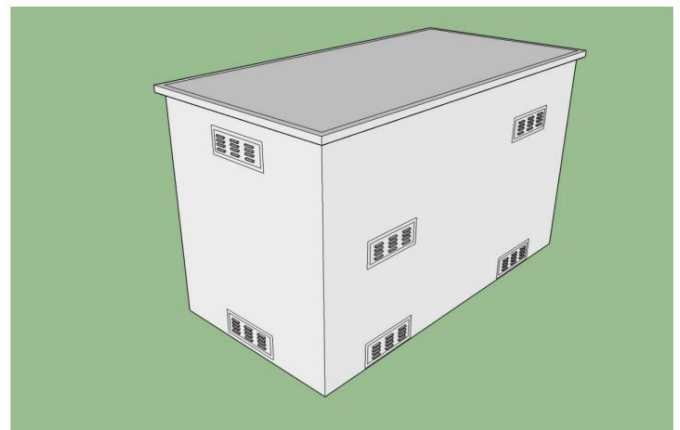
\*\*\*

GPL/Gaz propane : Le gaz GPL est plus lourd que l'air et se déposera aux niveaux les plus bas de la cuisine extérieure. Il est impératif de fournir une ventilation transversale adéquate pour les zones où le gaz peut s'accumuler à ces niveaux inférieurs de la cavité de l'îlot. Si la bouteille de propane est située dans la cuisine extérieure elle-même, un mur de plénum est nécessaire pour séparer la source de gaz des autres zones de la cuisine extérieure (photo illustrée à la page 23), ainsi que les armoires contenant les appareils à gaz et le réservoir de gaz. doit être ventilé de manière appropriée. Si un mur de plénum n'est pas souhaitable, BLAZE propose un tiroir de réservoir de propane comme alternative.

\*\*\*\*

GN/gaz naturel : le gaz naturel est plus léger que l'air et atteindra les niveaux les plus élevés de la cuisine extérieure. Il est impératif de fournir une ventilation transversale adéquate pour les zones où le gaz peut s'accumuler à ces niveaux supérieurs de la cavité de l'îlot.

Le schéma ci-contre montre une variété d'exemples d'emplacements et de configurations de ventilation pour une cuisine extérieure. Ce ne sont pas les seules options possibles pour la ventilation, mais simplement quelques exemples des configurations les plus courantes trouvées. Remarquez que l'ensemble d'événements du milieu est positionné plus bas sur la cavité de l'îlot pour le GPL. Les événements inférieurs sont pour le GPL et les événements supérieurs sont pour le gaz naturel (exemples uniquement).



## ii CARACTÉRISTIQUES DU BBQ DE CONSTRUCTION

TOUS LES POINTS DE RACCORDEMENT AU GAZ DOIVENT ÊTRE TESTÉS POUR LES FUITES APRÈS L'INSTALLATION AVANT LA PREMIÈRE UTILISATION DU OU DES APPAREILS À GAZ.

Avant d'installer un appareil dans une découpe d'îlot, assurez-vous que l'ouverture n'est pas plus grande que le cadre extérieur de l'unité de l'appareil. L'appareil doit reposer sur le rebord du cadre.

Portez une attention particulière à l'emplacement de la conduite de gaz. Il doit être acheminé loin des sources de chaleur, des arêtes vives et des surfaces agressives et doit faire le moins de coudes possible.

Assurez-vous que la connexion de la conduite de gaz sera accessible lorsque l'appareil sera installé. Une soupape d'arrêt de sécurité est nécessaire à ce point de raccordement du gaz. Avant d'installer le grill dans la découpe de l'îlot, les goupilles fendues du brûleur principal peuvent être retirées pour faciliter l'entretien, les réglages et l'entretien ultérieurs. Ceux-ci sont accessibles depuis l'arrière extérieur du grill. VEUILLEZ NOTER : Une enceinte pour un gaz doit être ventilée par des ouvertures aux niveaux supérieur et inférieur de l'enceinte. Au moins deux ouvertures de ventilation doivent être prévues dans la paroi latérale de l'enceinte, situées à moins de 5 po (127 mm) du haut de l'enceinte à un minimum de 90 degrés (1,57 rad) et non obstruées. De plus, des ouvertures de ventilation doivent être prévues au niveau du sol de l'enceinte. Si les ouvertures de ventilation au niveau du sol se trouvent dans un mur latéral, il doit y avoir au moins deux ouvertures. Le bas des ouvertures doit être à 1 po (25,4 mm) ou moins du niveau du sol et le bord supérieur à pas plus de 5 po (127 mm) au-dessus du niveau du sol. Chaque ouverture doit avoir des dimensions minimales permettant l'entrée d'une tige de 1/8 po (3,2 mm) de diamètre. Les ouvertures de ventilation dans les parois latérales ne doivent pas communiquer directement avec d'autres enceintes de l'appareil de cuisson à gaz extérieur. Si le comptoir de la cuisine extérieure surplombe la face de l'îlot, il sera nécessaire d'encoche les deux bords avant du comptoir pour permettre au grill de glisser contre le mur avant extérieur de la cuisine extérieure. En raison des préférences personnelles différentes de la taille de l'encoche, il est recommandé de le faire au point d'installation afin que le consommateur puisse dicter sa préférence.

REMARQUE : Le panneau de commande de cet appareil est muni d'un joint de retrait autour du panneau de commande empêchant son retrait.

Effectuez la procédure de test de fuite comme décrit précédemment dans ce manuel.

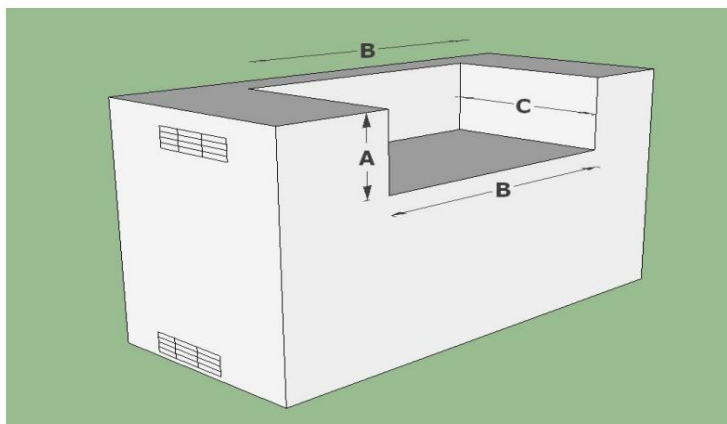
\* Assurez-vous que la cavité de votre îlot est correctement ventilée. Le nombre d'évents indiqué dans le schéma est à titre informatif uniquement.

Consultez votre professionnel agréé local pour connaître les exigences adéquates.

\*Assurez-vous que votre cuisine extérieure est construite à partir de matériaux incombustibles.

**\*Si votre cuisine extérieure est construite avec des matériaux combustibles, une veste isolante est OBLIGATOIRE.**

TOUS LES ÎLOTS BARBECUE DOIVENT ÊTRE FABRIQUÉS À PARTIR DE MATÉRIAUX « NON COMBUSTIBLES »



### iii. Schémas d'installation

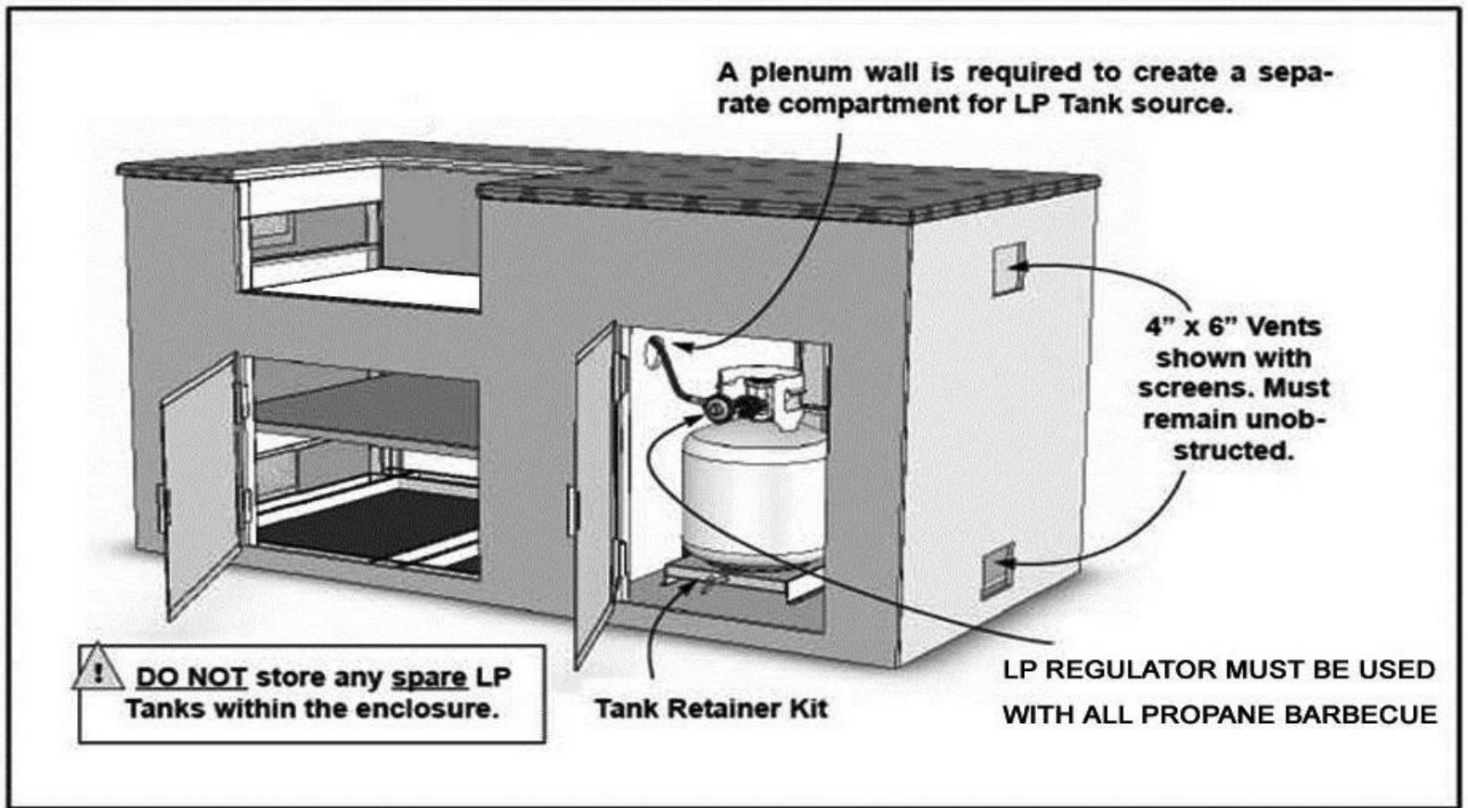
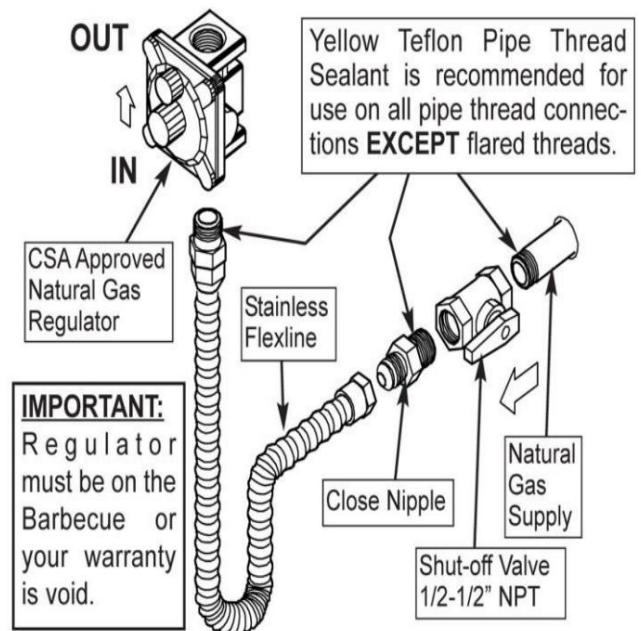
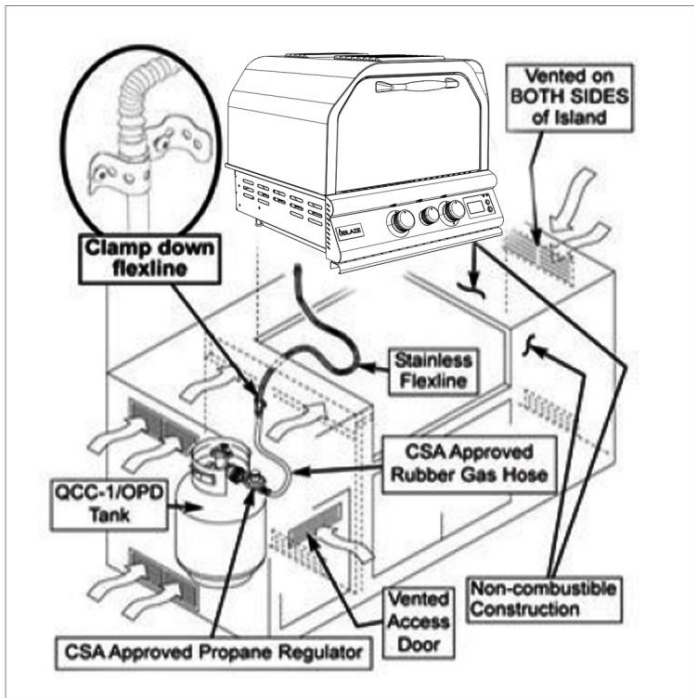


Schéma d'installation  
(Réservoir LP de 5 gallons illustré)

Méthode d'installation pour le gaz à basse pression  
Source- (régulateur de gaz naturel illustré)



## VIII. PREMIÈRE UTILISATION



Before lighting the burners inspect the gas supply piping or hose. If there is evidence of cuts, wear, or abrasion, it must be replaced prior to use. Always keep your face and body as far away from the grill as possible when lighting. Always perform a gas leak test before each use.

Attention : Ne faites jamais fonctionner l'appareil sans surveillance. La surface est extrêmement chaude et quelqu'un peut toucher la surface chaude et se brûler gravement. Tous les appareils à gaz doivent être surveillés en tout temps.

Avant d'utiliser votre appareil, vérifiez que tous les éléments suivants sont corrects :

Le tube du brûleur est libre de tout débris ou obstruction.

Installation du type de gaz et des paramètres de régulateur appropriés. La

connexion de gaz appropriée est terminée. Vérifier

les fuites de gaz. Les

dégagements minimaux sont respectés.

Tous les emballages ont été retirés.

Toutes les pièces et tous les composants sont correctement en

place. Un robinet d'arrêt de gaz manuel fourni par l'installateur est entièrement

accessible. Le tuyau LP est propre et inspecté pour les coupures, l'usure, l'abrasion ou les fuites. Remplacer si nécessaire par une pièce homologuée UL, ETL ou CSA appropriée avec connecteur fileté à l'intérieur.

### je. Alimenter le four et utiliser l'écran digital

1. Assurez-vous que l'appareil est branché sur un disjoncteur de 15 A avec protection GFI. Appuyez sur le bouton situé sur la paroi latérale inférieure droite du panneau de commande pour allumer le four. Le bouton deviendra "ROUGE" lorsque l'alimentation principale est allumée. Cela alimentera l'écran numérique voir l'image ci-dessous. L'écran est utilisé pour surveiller la température et contrôler le plateau tournant.





2. Appuyez sur le bouton du haut pour allumer les lumières. Le bouton deviendra "ROUGE" lorsqu'il est allumé. Appuyez sur le bouton inférieur pour faire fonctionner le plateau tournant.
3. Deux prises enfichables supérieures sont destinées aux sondes sans fil incluses et sont utilisées lors de la surveillance de la température des aliments.

## ii. Allumer l'appareil

1. Ouvrez la PORTE.
2. Soyez prudent lorsque vous allumez des brûleurs en vous tenant le plus loin possible des brûleurs. Ne pas mettre lors de l'éclairage vos mains, vos bras, votre tête ou toute autre partie du corps à proximité du four
3. Pour allumer les brûleurs, enfoncez le bouton du brûleur et tournez-le lentement dans le sens inverse des aiguilles d'une montre jusqu'à la position haute.
4. Vous entendrez un clic fort lorsque le briquet électronique produira une étincelle. Écoutez le bruit du gaz qui s'enflamme et cherchez une flamme sous la pierre de cuisson. Si le brûleur ne s'allume pas du premier coup, répétez immédiatement.
5. Si le brûleur ne s'allume pas dans les 5 secondes, éteignez les brûleurs et attendez cinq minutes avec la porte ouverte jusqu'à ce que le gaz se dissipe avant d'essayer de l'allumer à nouveau. Répétez la procédure ou essayez la procédure d'allumage manuel ci-dessous.
6. Si le brûleur ne s'allume pas après plusieurs tentatives, fermez immédiatement toutes les vannes de gaz et consultez un technicien de service agréé.
7. Une fois l'allumage réussi, répétez le processus sur les autres brûleurs que vous souhaitez allumer.
8. Pour éteindre les brûleurs, tournez le bouton et mettez-le sur OFF. Il est normal d'entendre un claquement lorsque les brûleurs sont éteints.
9. Fermez la vanne d'alimentation en gaz.

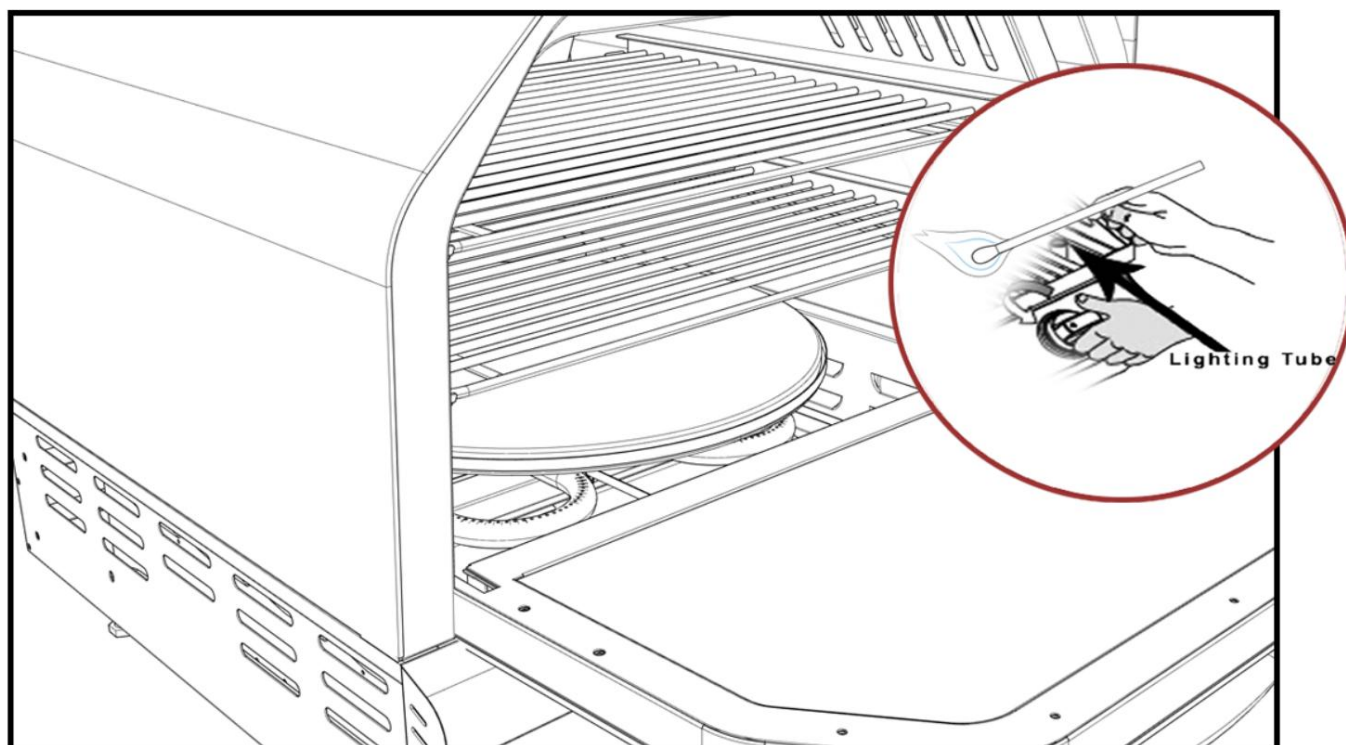


### iii. Allumage manuel des brûleurs principaux



Une allumette longue peut être utilisée, mais il est recommandé d'utiliser un briquet long pour effectuer les procédures d'allumage des allumettes. De graves brûlures peuvent survenir et les briquets peuvent exploser.

1. Ouvrez la porte.
2. Si vous venez d'essayer d'allumer le brûleur, attendez cinq minutes pour que tout gaz accumulé se dissipe. Soyez prudent en vous tenant le plus loin possible des brûleurs. Ne placez pas vos mains, vos bras, votre tête ou toute autre partie de votre corps à proximité du four lors de l'allumage.
3. Tenez votre flamme nue vers le haut des brûleurs tubulaires. Voir l'image ci-dessous.



4. Enfoncez et tournez le bouton de commande sur HIGH.
5. Si le brûleur ne s'allume pas après cinq secondes, tournez les boutons de commande à la position OFF.
6. Attendez cinq minutes jusqu'à ce que le gaz disparaisse avant d'essayer de l'allumer à nouveau.



Si le brûleur ne s'allume pas après plusieurs tentatives, fermez immédiatement toutes les vannes de gaz et consultez un technicien de service agréé.



# WARNING



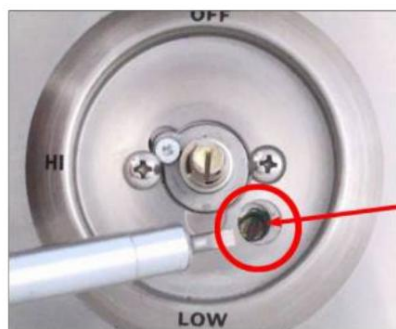
Un « FLASHBACK » peut se produire dans ou autour des tubes du brûleur. Le flashback présente un son caractéristique de type « souffle/ jet ». Si cela se produit, éteignez immédiatement vos brûleurs, puis retirez-les et nettoyez-les avec du savon, de l'eau et une brosse jusqu'à ce que tous les corps étrangers soient éliminés.

Avant de cuisiner avec votre appareil pour la première fois, brûlez tout corps étranger et débarrassez l'appareil de toute odeur en brûlant les brûleurs principaux uniquement à intensité ÉLEVÉE avec le couvercle fermé pendant environ 10 minutes. Lorsqu'elle est allumée, la flamme doit avoir une couleur principalement bleue. Il peut avoir une teinte jaune et un réglage des volets d'air peut être fait pour obtenir une flamme bleue et une bonne lueur de gaz (voir réglage de la flamme).

Tournez les boutons de commande sur HI et laissez le gril préchauffer pendant 15 minutes ou jusqu'à ce que la température souhaitée s'affiche sur le thermomètre. La PORTE doit être fermée pendant la période de préchauffage de l'appareil.

## iv. Réglage de la flamme

- un. Familiarisez-vous avec les consignes de sécurité au début de ce manuel. Ne fumez pas en allumant l'appareil ou en vérifiant les connexions d'alimentation en gaz.
- b. Assurez-vous que toutes les connexions de gaz sont bien serrées et qu'elles ont été testées avec une solution d'eau savonneuse - jamais avec une flamme !
- c. Une fois les grilles de cuisson et les pare-flammes retirés, allumez les brûleurs principaux et faites-les fonctionner à réglage élevé.
- d. Inspectez les brûleurs pour une apparence de flamme appropriée. L'apparence idéale de la flamme est celle qui est principalement bleue et ne se décolle pas de la surface du brûleur. Il y a un obturateur d'air situé à l'extrémité du brûleur (près de la vanne) qui peut être ouvert ou fermé pour faire des ajustements à l'apparence de la flamme. Pour régler, retirez le brûleur de l'appareil et desserrez la vis cruciforme qui maintient l'obturateur d'air au brûleur. Si la flamme est jaune, ouvrez l'obturateur d'air pour rendre la flamme plus bleue. Si la flamme se décolle de la surface du brûleur, fermez légèrement l'obturateur d'air. Resserrez la vis cruciforme et réinstallez le brûleur pour revérifier l'apparence de la flamme. Répétez si nécessaire.
- e. Tournez les brûleurs au réglage de la flamme basse et testez la hauteur de flamme appropriée. La flamme doit être stable et la combustion de chaque orifice du brûleur sans risque de s'éteindre au réglage le plus bas. (Pour régler le réglage de la flamme LOW, allumez simplement l'appareil sur le réglage LOW et ajustez la vis située sous le bouton à l'avant de la valve à l'aide d'un tournevis à tête plate comme indiqué sur le schéma ci-dessous.)



### Réglage FLAMME basse



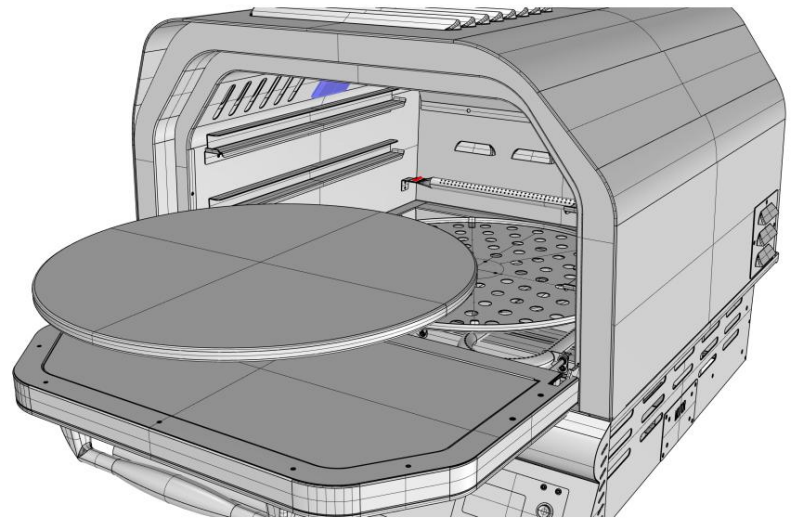
REMARQUE : Assurez-vous que chaque brûleur est correctement placé après le nettoyage. Il est très important de s'assurer que l'extrémité du brûleur est correctement installée sur la vanne de gaz pour garantir que le gaz s'écoule en toute sécurité dans le brûleur. Le non-respect de ces conditions peut entraîner des conditions dangereuses pouvant entraîner des blessures corporelles et/ou des dommages matériels.

## v. Instructions pour le plateau tournant et la rôtissoire en pierre à pizza

REMARQUE : La pierre à pizza se trouve dans le manchon en carton à l'intérieur du four. Retirez délicatement la pierre de la boîte de protection et insérez-la dans la grille ronde centrale du four

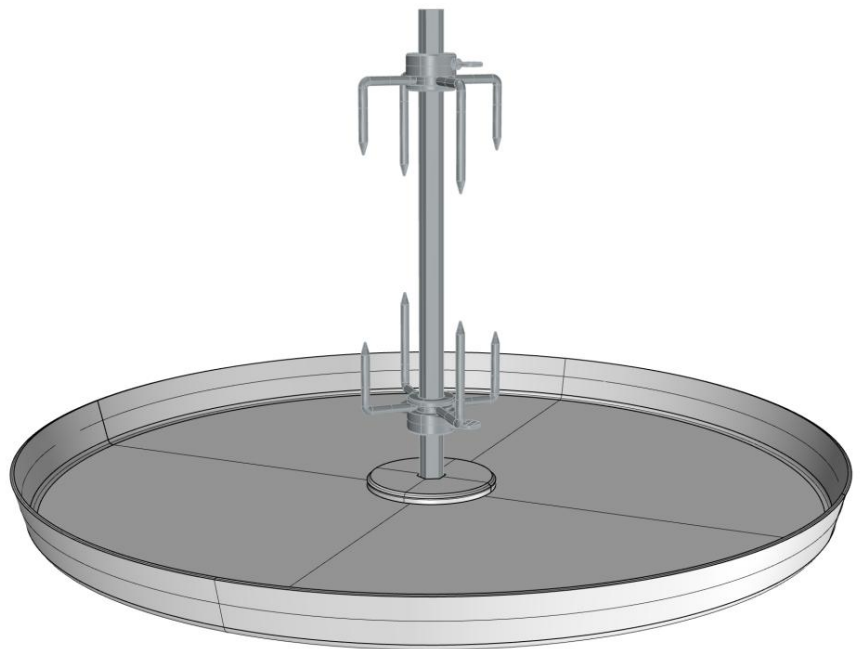
Insertion de pizza et préchauffage de la pierre four:

Placez la pierre dans le support en métal. Préchauffez toujours l'ensemble de l'appareil avant de cuisiner. Si l'appareil est déjà chaud à cause de la cuisson, vous devez quand même préchauffer le brûleur arrière pendant 10 à 15 minutes avec la porte fermée. Pour une bonne pizza, il est essentiel que la pierre atteigne 600 à 700 degrés.



Instructions de rôtisserie :

Insérez les quatre dans la base de la rôtisserie et fixez-les à la poêle. La tige de rôtisserie principale se branche au centre du bac d'égouttement. Faites glisser les dents sur l'arbre afin qu'elles se fassent face. Verrouillez en place. Placez le plat à badigeonner directement sur la pierre de cuisson. La lèche-frite recueillera les jus pour badigeonner et saucer. Celui-ci doit être nettoyé après chaque utilisation. Pour la cuisson de style rôtisserie, il est recommandé de commencer avec les brûleurs inférieurs à faible intensité. Réglez la chaleur et utilisez le brûleur arrière au besoin. Le moteur de la rôtisserie est capable de tourner jusqu'à 20 lb de viande ou de volaille. Si l'arbre ne fonctionne pas correctement ou émet un bruit de difficulté, la viande n'est pas correctement équilibrée. Utilisez le contrepoids pour équilibrer toute irrégularité des aliments sur la rôtisserie.



## vi. Utilisation de la rôtisserie

Ce four est capable d'effectuer une cuisson en rôtisserie. L'emplacement du brûleur arrière permet de placer la lèchefrite sous les aliments pour recueillir les jus pour badigeonner et saucer. Pour aromatiser le contenu de la poêle à badigeonner, vous pouvez ajouter des herbes, de l'oignon, de l'ail ou des épices. Les jambons sont particulièrement bons avec l'ajout de tranches d'ananas et de cassonade dans la poêle à badigeonner. Le moteur de la rôtissoire est capable de tourner jusqu'à 20 lb de viande ou de volaille. Placez la viande sur l'arbre. Retirez la broche la plus proche de l'extrémité moteur de la rôtisserie. Embrochez la viande avec le manche en veillant à ce que la viande soit centrée et équilibrée le plus uniformément possible. Poussez la broche dans la viande suffisamment pour la maintenir en place. Il est utile de placer le côté lourd de la viande vers le bas. Placez la deuxième broche sur l'arbre et poussez-la dans la viande. Verrouillez la viande en place en serrant les deux vis de fixation. Assurez-vous que toutes les parties lâches de la viande sont traitées pour éviter qu'elles ne s'emmêlent lorsque l'arbre tourne. Si la viande ne tourne pas uniformément ou fait un bruit de difficulté, la viande n'est pas correctement équilibrée. Retirez la rôtisserie du four. Avec les aliments toujours sur la broche inférieure de la rôtissoire, tenez une extrémité de la rôtissoire et réajustez la viande. Laissez-le tourner librement. Le point lourd doit être placé sur la broche inférieure en premier. Une fois la viande équilibrée, remplacez la rôtissoire dans le four, allumez le moteur pour vous assurer que l'équilibrage est terminé. Si nécessaire, recommencez la procédure pour faire tourner le point d'équilibre avec précision. Tous les aliments ne doivent pas être équilibrés. Si la viande est presque parfaitement ronde et bien centrée sur l'arbre, elle devrait tourner sans problème. Enfin, vous êtes prêt à commencer à cuisiner. Veuillez noter qu'il est courant que la viande sur la rôtissoire change légèrement au cours des 10 à 20 premières minutes de cuisson. Cela peut parfois entraîner la séparation de la viande des fourchettes de la rôtisserie, l'empêchant de tourner.

Il est conseillé de vérifier périodiquement la viande pendant la première partie du processus de cuisson et de rattacher les fourchettes de rôtissoire si nécessaire.

**AVERTISSEMENT :** Lorsque vous utilisez le brûleur de la rôtissoire, N'UTILISEZ PAS les brûleurs du four car cela pourrait rendre le four trop chaud. Il est recommandé d'utiliser les brûleurs inférieur ou arrière lors de la cuisson à la rôtissoire.

## vii. Utilisation du brûleur arrière

Allumez le brûleur arrière comme décrit dans les instructions d'allumage du manuel du propriétaire du gril. Le brûleur arrière peut être utilisé pour de nombreuses choses différentes. Il est principalement conçu pour cuire des pizzas ou griller des aliments. Lors de la cuisson d'une pizza, il est nécessaire d'utiliser les trois brûleurs et de laisser le temps au four d'atteindre la température avant de placer la pâte à pizza sur la pierre.

## IX. Nettoyer votre appareil

---

REMARQUE : Attendez toujours que votre appareil soit complètement refroidi avant de le nettoyer. Vous devez nettoyer votre appareil après chaque utilisation pour conserver l'apparence générale pendant toute la durée de vie de votre appareil. Après la première utilisation, il est normal que votre appareil se décolore à certains endroits à cause de la chaleur produite par les brûleurs. Une vidéo pour nettoyer votre grill se trouve sur le site Web de Blaze pour vous aider avec les instructions ci-dessous, [www.blazegrills.com](http://www.blazegrills.com).

### Nettoyage de l'extérieur

Lorsque vous nettoyez votre appareil, frottez et polissez toujours dans le sens du grain de l'acier inoxydable. Essayez l'extérieur de l'appareil pour enlever toute éclaboussure ou graisse. N'utilisez pas d'abrasifs agressifs. Utilisez un nettoyant pour acier inoxydable pour nettoyer la surface extérieure pour un aspect poli. Pour enlever les aliments cuits, utilisez un tampon abrasif non métallique à grain fin à moyen avec un nettoyant pour acier inoxydable afin d'éviter que des grains de graisse ne s'accumulent dans le grain et ne provoquent l'apparition de rouille. Avant d'installer la couverture, laissez toujours la surface sécher. NE PAS couvrir un appareil humide.

### Bac d'égouttage

Nettoyez le bac d'égouttage après chaque utilisation. Ne pas le faire pourrait provoquer un incendie. Une fois l'appareil complètement refroidi, retirez le plateau en le tirant jusqu'à ce qu'il se libère. Nettoyez le plateau avec de l'eau chaude savonneuse et remplacez-le en vous assurant que le plateau est complètement installé dans le boîtier du grill. Si vous utilisez un produit de nettoyage pour four, assurez-vous de suivre attentivement les instructions du fabricant pour éviter d'endommager l'acier inoxydable.

Grilles de réchauffage - Pour nettoyer (devrait nettoyer après chaque utilisation), allumez les brûleurs principaux à HIGH pendant 10 à 15 minutes avec la porte fermée. Cela permet aux particules alimentaires ou aux gouttes de graisse de brûler. Brossez les composants avec une brosse à poils en acier inoxydable pour enlever tout matériau carbonisé restant.

### Brûleurs tubulaires en acier inoxydable

L'appareil doit être complètement refroidi avant de continuer. Assurez-vous que l'alimentation en gaz est coupée et que tous les boutons de commande sont en position "OFF". Vous devez retirer toutes les grilles de cuisson et la pierre pour exposer les brûleurs principaux de l'appareil. En bas à l'arrière de chaque brûleur se trouve une goupille fendue accessible depuis l'intérieur du four. Retirez les goupilles fendues (sauf si elles ont été retirées avant l'installation dans une cuisine extérieure). Pour retirer le brûleur, tirez la tige vers le haut et faites glisser le brûleur vers l'arrière de l'appareil. Répétez l'opération pour chaque brûleur. Pour nettoyer les brûleurs, utilisez une brosse métallique pour nettoyer l'extérieur du brûleur. Libérez tous les ports bouchés des obstructions avec un petit objet métallique. Nettoyez tous les débris à travers l'obturateur d'air et inspectez l'entrée du brûleur pour vous assurer qu'il n'y a aucune obstruction. Utilisez une tige ou un cure-pipe pour enlever tous les débris à l'intérieur du brûleur si nécessaire.

### AVERTISSEMENT D'ARAIGNÉES ET D'INSECTES

Les araignées et autres insectes peuvent nicher dans le brûleur de ce brûleur et de tout autre brûleur, ce qui fait que le gaz s'écoule de l'avant du brûleur. Cette « condition » dangereuse peut provoquer un incendie derrière le panneau de vannes, endommager le brûleur et rendre le fonctionnement du brûleur dangereux. Inspectez les brûleurs avant chaque utilisation. Les symptômes des nids d'insectes peuvent inclure l'une des conditions suivantes :

- 1) L'odeur de gaz en conjonction avec les flammes du brûleur apparaissant en jaune.
- 2) Le brûleur n'atteint pas la température.
- 3) Le brûleur chauffe de manière inégale.
- 4) Le brûleur fait des bruits de claquement.

## X. Conversion de carburant

ATTENTION : Cette opération ne doit être effectuée que par un professionnel du gaz agréé.

(Une vidéo convertissant votre blaze grill se trouve sur le site Web de blaze pour vous aider avec les instructions ci-dessous, [www.blazegrills.com](http://www.blazegrills.com) )

### je. Régulateur de gaz convertible (le cas échéant) :

Actuellement, tous les grils au gaz naturel sont fournis avec un régulateur qui convient pour une utilisation avec du gaz naturel ou du propane à basse pression.

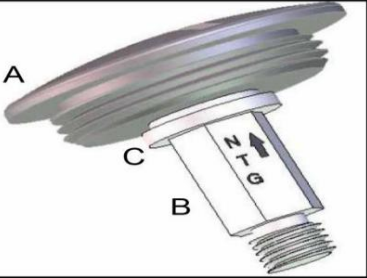
1. Lors de la conversion au gaz propane, la cartouche de propane la plus couramment utilisée est une cartouche portable de plus petite taille (généralement 5 gallons ou 20 livres). Le régulateur préinstallé devra être converti en gaz propane (voir ci-dessous) et ajouter un secondaire. tuyau basse pression et régulateur avec une pression sortante réglée à environ 11" de pression de colonne d'eau. Si une personne a l'intention d'utiliser du propane fourni à partir d'un réservoir plus grand installé en permanence sur place, le régulateur inclus avec l'appareil n'aura besoin d'être converti que pour utiliser avec du carburant LP (voir conversion du régulateur NG-LP ci-dessous). Veuillez noter que ce régulateur inclus ne peut résister qu'à une pression entrante de 0,5 PSI ou environ 14 pouces de pression de colonne d'eau. Toute pression plus élevée sur place devra être davantage Veuillez consulter votre fournisseur local de gaz propane pour confirmer la pression de gaz sur la conduite d'alimentation alimentant l'appareil.

2. En cas de conversion au gaz naturel, un régulateur basse pression avec une pression de sortie réglée à 4" de La pression de la colonne d'eau doit être utilisée.

Quelle que soit la configuration, n'oubliez pas de toujours vérifier les fuites de gaz une fois le travail terminé (voir 3. Vérification des fuites de gaz).



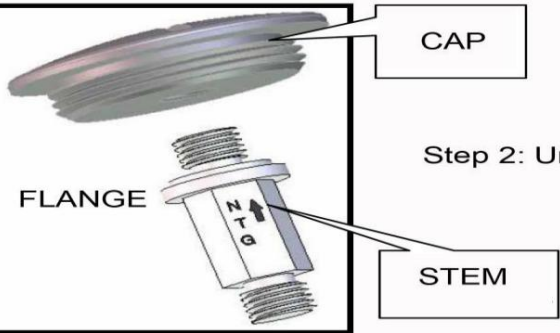
## NG - LP Regulator Conversion




Cap is attached to regulator and in this picture it is shown as "set to Natural Gas".

Step 1: Remove Cap by Unscrewing it.

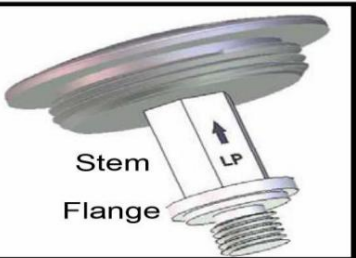
A= Cap B= Stem C= Flange



Step 2: Unscrew the Stem from the cap



Step 3: Turn the Stem 180° so that the Flange is at The Bottom.



Step 4: Screw the Stem back into the Cap and then reinstall the Cap/Stem Assembly back into the Regulator.

Note: Hand Tight Only.

**NOTE:** for a "FULL" conversion make sure you replace all of the orifices located in the Valves including the Back Burner valve with the LP orifices provided in the Conversion Kit

## Instructions de conversion de carburant (gaz) pour les grils à gaz Blaze.

ATTENTION : Cette opération ne doit être effectuée que par un professionnel du gaz agréé.

### Brûleurs principaux :

1. Vous devez retirer la pierre à pizza et la plaque de montage pour exposer les brûleurs principaux de l'appareil.
2. En haut à l'arrière de chaque brûleur se trouve un jeu de vis. Retirez les vis. (sauf s'ils ont été retirés avant l'installation dans une cuisine extérieure)
3. Pour retirer le brûleur, tirez le brûleur vers le haut et faites-le glisser vers l'arrière de l'appareil. Répétez l'opération pour chaque brûleur.
4. Là où se trouvait auparavant le brûleur, la connexion à la vanne principale à travers le trou dans le bassin doit maintenant être espace libre.
5. À l'intérieur de l'espace, vous trouverez l'extrémité de la vanne (vers l'avant de l'appareil), avec un orifice (raccord en laiton), vissé à l'extrémité de la tige de valve.
6. Retirez délicatement l'orifice à l'aide d'un jeu de douilles de 6 mm et d'une rallonge. (Ils sont extrêmement fragiles ! Lors du dévissage, extrêmement doux, car vous pourriez facilement casser le raccord en laiton et devoir remplacer la valve).
7. Une fois l'ancien orifice retiré, remplacez-le par le nouvel orifice (répétez l'opération pour tous les brûleurs). Lors de la réinstallation de l'orifice, ne serrez pas trop ou vous dénuderez le raccord en laiton. Très peu de pression est nécessaire !!!
8. Inspectez les brûleurs pour une apparence de flamme appropriée. L'apparence idéale de la flamme est celle qui est principalement bleue et ne se soulève pas hors de la surface du brûleur. Il y a un obturateur d'air situé à l'extrémité du brûleur (près de la vanne) qui peut être soit ouvert ou fermé pour faire des ajustements à l'apparence de la flamme. Pour régler, retirez le brûleur de l'appareil et desserrez la vis cruciforme maintenant l'obturateur d'air au brûleur. Si la flamme est jaune, ouvrez le volet d'air pour rendre la flamme plus bleue. Si la flamme se décolle de la surface du brûleur, fermez légèrement l'obturateur d'air. Resserrez le Philips vis à tête et réinstallez le brûleur pour vérifier l'apparence de la flamme. Répétez si nécessaire.



## XII. Enregistrement de garantie

Les informations suivantes s'appliquent uniquement au four à gaz BLZ-26-PZOVN PIZZA OVEN (NG/LP) en plus de la garantie des pièces ci-dessous. La garantie ne couvre pas les frais de main-d'œuvre ou de main-d'œuvre, ni les frais d'expédition et de manutention. Tous les travaux de réparation doivent être effectués par un technicien professionnel qualifié. (Blaze ne remboursera aucun frais de diagnostic). Veuillez appeler notre service clientèle pour obtenir de l'aide afin de diagnostiquer le problème avant d'appeler un fournisseur de services.

Contrairement au four standard Blaze Outdoor Products, le four à pizza Blaze Gas Grills BLZ-26-PZOVN (NG/ LP) peut être utilisé dans des applications multi-utilisateurs, y compris, mais sans s'y limiter : complexes d'appartements, hôtels, complexes de condos, casernes de pompiers, postes de police, habitations multifamiliales, etc. La garantie Blaze Gas Oven BLZ-26- PZOVN PIZZA OVEN (NG/LP) ne s'applique pas lorsqu'il est utilisé dans un restaurant. Pour les applications multi-utilisateurs, Blaze Outdoor Products applique la garantie suivante :

- o GARANTIE DE TROIS (3) ANS Boîtier de gril en acier inoxydable, brûleurs, grilles de cuisson en acier inoxydable, vannes en laiton, chemises intérieures et ensembles collecteurs.
- o GARANTIE DE QUATRE-VINGT-DIX (90) JOURS Tous les autres composants, à l'exception des brûleurs, sont garantis pendant 90 jours. Cette garantie remplace la garantie à vie offerte avec une utilisation résidentielle lorsque l'appareil est utilisé dans des environnements multi-utilisateurs.

Si vous avez acheté un four de la série Blaze, vous devez enregistrer votre produit dans les 30 jours suivant l'achat pour valider la garantie et conserver votre reçu original pour obtenir des pièces pour l'appareil. Vous pouvez enregistrer votre appareil sur [www.blazegrills.com](http://www.blazegrills.com) en sélectionnant Assistance, puis en sélectionnant Enregistrer votre produit. Vous pouvez également remplir les pages 40-41 et l'envoyer par courrier à l'adresse située au bas du formulaire. La garantie s'applique uniquement aux propriétaires d'origine sur le site de livraison d'origine et ne peut être transférée aux nouveaux propriétaires. Vous devez conserver votre ticket de caisse ou votre facture.

Les travaux d'installation, de réparation et d'entretien doivent être effectués par un technicien de service agréé. Le travail effectué par des personnes non qualifiées peut être dangereux et annulera la garantie. Tous les appareils au gaz naturel et au GPL doivent être installés par un installateur qualifié pour que la garantie soit en vigueur. L'installation incorrecte de l'appareil à gaz Blaze annulera la garantie. Veuillez appeler Blaze Outdoor Products pour plus d'informations sur l'installation correcte de l'appareil à gaz.

Blaze Outdoor Products ne sera pas responsable en vertu de cette garantie ou de toute garantie implicite pour les dommages accessoires ou consécutifs et la responsabilité de Blaze Outdoor Products est limitée au prix d'achat de l'appareil uniquement. Cette garantie vous donne des droits légaux spécifiques, et vous pouvez également avoir d'autres droits, qui peuvent varier d'un état à l'autre. Cette garantie s'applique uniquement aux États-Unis et au Canada.

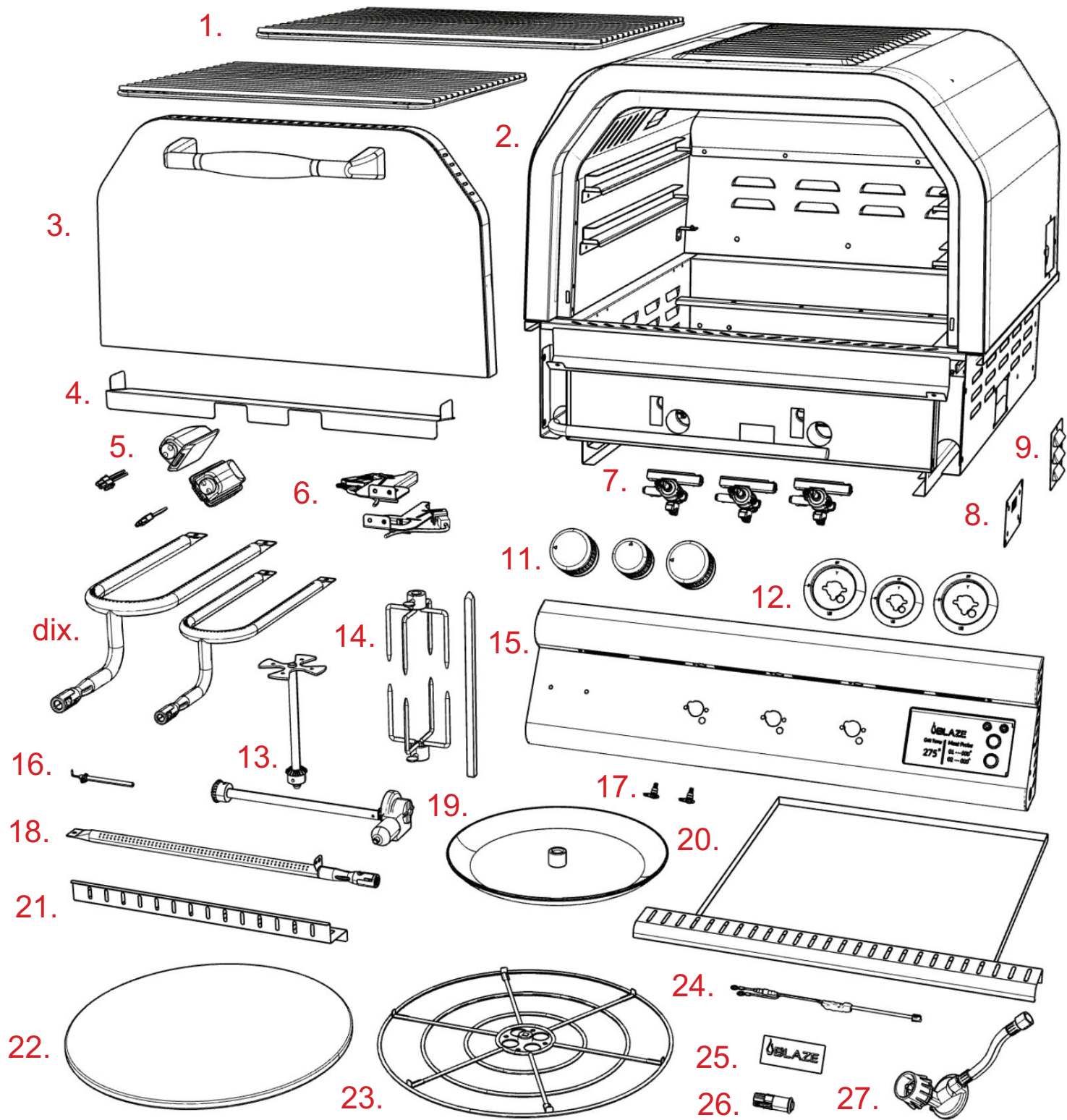
**ATTENTION Clients internationaux :** Veuillez consulter votre revendeur ou distributeur pour plus de détails concernant la garantie et la procédure de votre produit. Personne d'autre que le revendeur ou le distributeur n'est autorisé à exécuter les obligations en vertu de cette garantie.

Un entretien inadéquat, des températures de cuisson élevées, une humidité excessive, du chlore, des engrais, des pesticides pour pelouse, des produits chimiques et du sel peuvent affecter les composants en acier inoxydable et pour ces raisons, les garanties NE COUVRENT PAS LA DÉCOLORATION, LA ROUILLE DE SURFACE OU LA ROUILLE, sauf en cas de perte. de l'intégrité structurelle/de la rouille des composants de l'appareil. Cette garantie couvre les défauts de matériaux et de fabrication.

## je. GARANTIE SUR LES PIÈCES :

- Brûleurs principaux – À vie (pièces uniquement)
- Grilles de cuisson – À vie (pièces uniquement)
- Carrosserie – À vie (pièces seulement)
- Flame Tamers + Heat Zone Separators – À vie (pièces uniquement)
  
- Grille de réchaud – À vie (pièces seulement)
- Vannes - À vie (pièces uniquement)
- Allumage, électronique et systèmes d'éclairage - 1 an (pièces uniquement)

Les consommateurs sont responsables de tous les frais d'expédition associés aux pièces sous garantie et aux coûts de main-d'œuvre supérieurs à 120,00 \$. Toutes les demandes de garantie sont soumises à l'examen du fabricant. Veuillez vous assurer que les informations sur votre reçu de vente et le numéro de série du produit se trouvent sur le panneau latéral extérieur gauche de l'appareil. Toutes les pièces de rechange peuvent être achetées auprès de votre revendeur local.



|  |   |   |
|--|---|---|
| 1. Grille de four à pizza * 2 PC 2.                              | 10. Brûleur principal du four à pizza * 2 PC 11.  | 19. plateau de four à pizza                   |
| Boîtier de four à pizza  | Bouton du four à pizza * 2 PC / petit 1 PC 20. Plateau d'égouttement du four à pizza 12. Lunette du       |   |
| 3. Assemblage de porte de four à pizza avec charnière et poignée | bouton du four à pizza * 2 PC / petit 1 PC 21. Pare-vent du four à pizza pour le brûleur arrière          |   |
| 4. couvercle de l'allumeur du brûleur principal du four à pizza  | 13. entraînement par engrenages du four à pizza avec engrenages * 2 PC 22. pierre à pizza de remplacement |   |
| 5. lampes halogènes pour four à pizza                            | 14. fourchettes et tige pourriture du four à pizza  | 23. support de pierre à pizza de remplacement |
| 6. Allumeur de brûleur principal de four à pizza * 2PC           | 15. panneau de commande du four à pizza   | 24. faisceau de câblage du four à pizza       |
| 7. Soupape de four à pizza * 3PC                                 | 16. Allumeur du brûleur arrière du four à pizza   | 25. logo du four à pizza                      |
| 8. Couvercle du moteur d'entraînement du four à pizza            | 17. Voyants DEL du four à pizza 18.   | 26. Bouton d'alimentation du four à pizza     |
| 9. couvercle du brûleur arrière du four à pizza                  | Brûleur arrière du four à pizza   | 27. ruglateur de four à pizza                 |

**Localisation du numéro de série du produit :**

Le numéro de série de votre appareil BLAZE se trouve sur la gauche à l'extérieur du Firebox (voir image à la page 14.) Vous aurez besoin de ce numéro pour enregistrer correctement votre appareil et activer la couverture. Écrivez ces informations dans l'espace prévu ci-dessous pour vos dossiers

Appareil

modèle:

---

Numéro de série de l'appareil :

---

Type de carburant utilisé :

Propane

Gaz naturel

Date d'achat:

---

Date d'installation :

---

Nom du revendeur Blaze :

---

Adresse du revendeur Blaze :

---

Numéro de téléphone du revendeur Blaze :

---

## Enregistrement du produit Blaze

Veillez prendre une minute pour nous faire savoir ce que vous avez acheté. Cela garantit que nous vous tiendrons au courant et ayez vos informations prêtes si jamais vous avez besoin d'aide sur la garantie ! Vous pouvez enregistrer votre produit par voie électronique sur le site Web de Blaze par rapport à l'envoi dans les documents ci-dessous, blazegrills.com.

D'abord \_\_\_\_\_

Dernier \_\_\_\_\_

E-mail \_\_\_\_\_

Téléphone \_\_\_\_\_

Adresse de la rue \_\_\_\_\_

Adresse Ligne 2 \_\_\_\_\_

Ville \_\_\_\_\_

Etat / Province / Région

\_\_\_\_\_

Zip / code postal \_\_\_\_\_ Pays

\_\_\_\_\_

Quel est le numéro de modèle du produit Blaze acheté ?

\_\_\_\_\_

\_\_\_\_\_

Quel est le numéro de série du produit Blaze ?

\_\_\_\_\_

\_\_\_\_\_

Où avez-vous acheté votre produit Blaze ?

\_\_\_\_\_

\_\_\_\_\_

Courrier à :

Blaze Outdoor Products, enregistrement de la garantie, 6620 Greenwell Springs Rd  
Bâton Rouge, LA 70805