



DIRECT-VENT FIREPLACES

Boulevard Linear DVLL48SP

Spec Sheet



GLASS VIEWING AREA

48" W x 13" H

ACTUAL DIMENSIONS

61 1/4" W x 34 1/2" H x 20 1/2" D

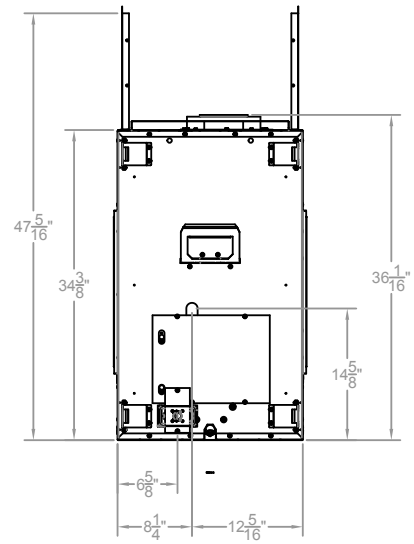
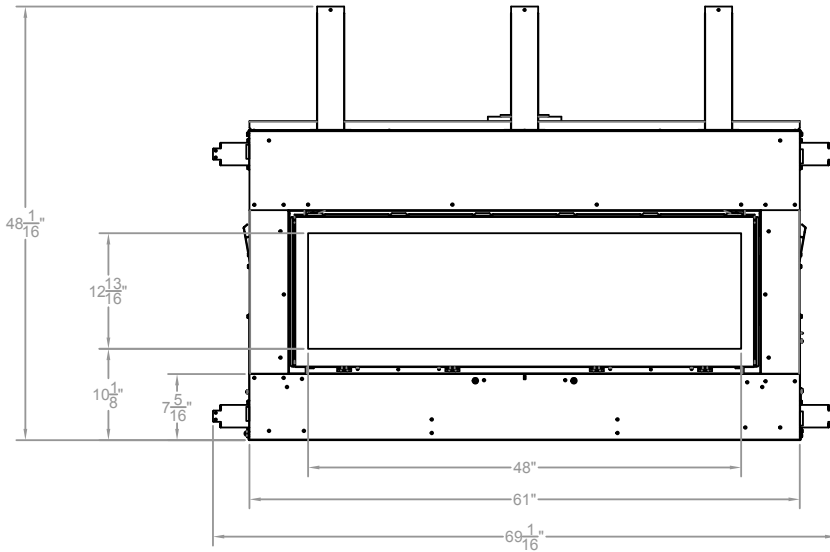
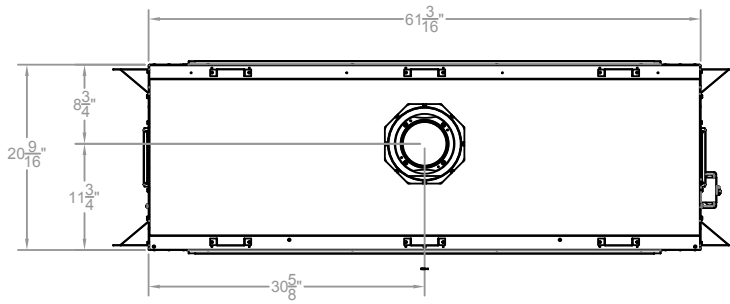
TECHNICAL INFORMATION

- Logs: 7-piece Ceramic Fiber log set
- Maximum heat output: 34,000 BTU (LP)
37,000 BTU (Nat)
- Efficiency Rating:
 - 70.4% A.F.U.E.
 - 62.7% P4
- Weight: 434 lbs.
- Clearances
 - Side Wall: 3"
- Type of Gas: LP or Natural
- Iron Pipe Size: 1/2-inch
- Ignition System: Intermittent Pilot
- Vent Size: 5 x 8 inch
- Top Vent Only

FIELD INSTALLED ACCESSORIES

- Liners:
 - Black Porcelain
 - LedgeStone
- Decorative Fronts:
 - Forged Iron
 - Hammered Pewter
 - Matte Black
- Exterior Wall Frame
- Decorative Media

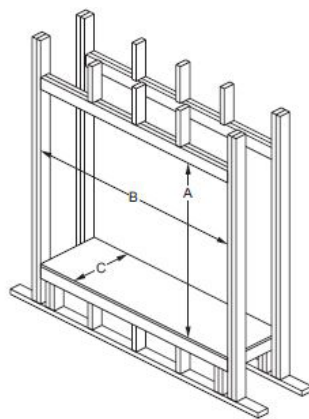
DVLL48SP



Framing Dimensions (in inches)	
Height	51 3/4
Width	68
Depth	*

* See installation manual for framing depth variations.

Note: See installation manual for clearances to combustibles.



Empire is committed to continuous product improvement; specifications are subject to change without notice. Dimensions in this brochure are approximate; read and follow the framing dimensions in the owners manual supplied with your Empire product. Flame size, shape, and color will vary from photos. Our mantels feature natural veneers and hand-rubbed finishes – wood grain and color will vary. Adjust light levels and use “natural light” incandescent bulbs to enhance the dramatic look for your wooden mantel.

Member of the following industry associations:



This appliance is design-certified to the ANSI standard by:



SINCE 1932

Empire Comfort Systems Inc.
918 Freeburg Ave.

Belleville, IL 62220-2623
info@empirecomfort.com

01/18

The Empire Comfort Systems and White Mountain Hearth names and logos are registered U.S. trademarks.