

# INSTALLATION INSTRUCTIONS DECORATIVE TRIM KIT

FOR USE ON: HMFA(36,48,60,72)P - HEAT TRANSFER KITS FOR VFLB

INSTRUCTIONS MUST BE LEFT WITH THE OWNER FOR FUTURE REFERENCE AFTER INSTALLATION.

DECORATIVE TRIM KITS			
HMFA36P	HMFA48P	HMFA60P	HMFA72P
HMFAF36BL-1	HMFAF48BL-1	HMFAF60BL-1	HMFAF72BL-1

**NOTICE:** The wall around your installed VFLB fireplace and HMFA-P Heat Transfer Kit should be fully finished before installing the HMFAF-BL Decorative Trim Kit.

1. **OPTIONAL** - The Trim Kit can be adhered to the wall using high-temperature construction adhesive. **See Figure 2.** DO NOT use so much that the adhesive will ooze out beyond the perimeter of the Trim Kit. *Test fit Trim Kit prior to applying adhesive.*
2. Install the Trim Kit by inserting it into the Heat Transfer Kit's open slot in the wall. For most installations this will be a friction-fit. **See Figure 1.**

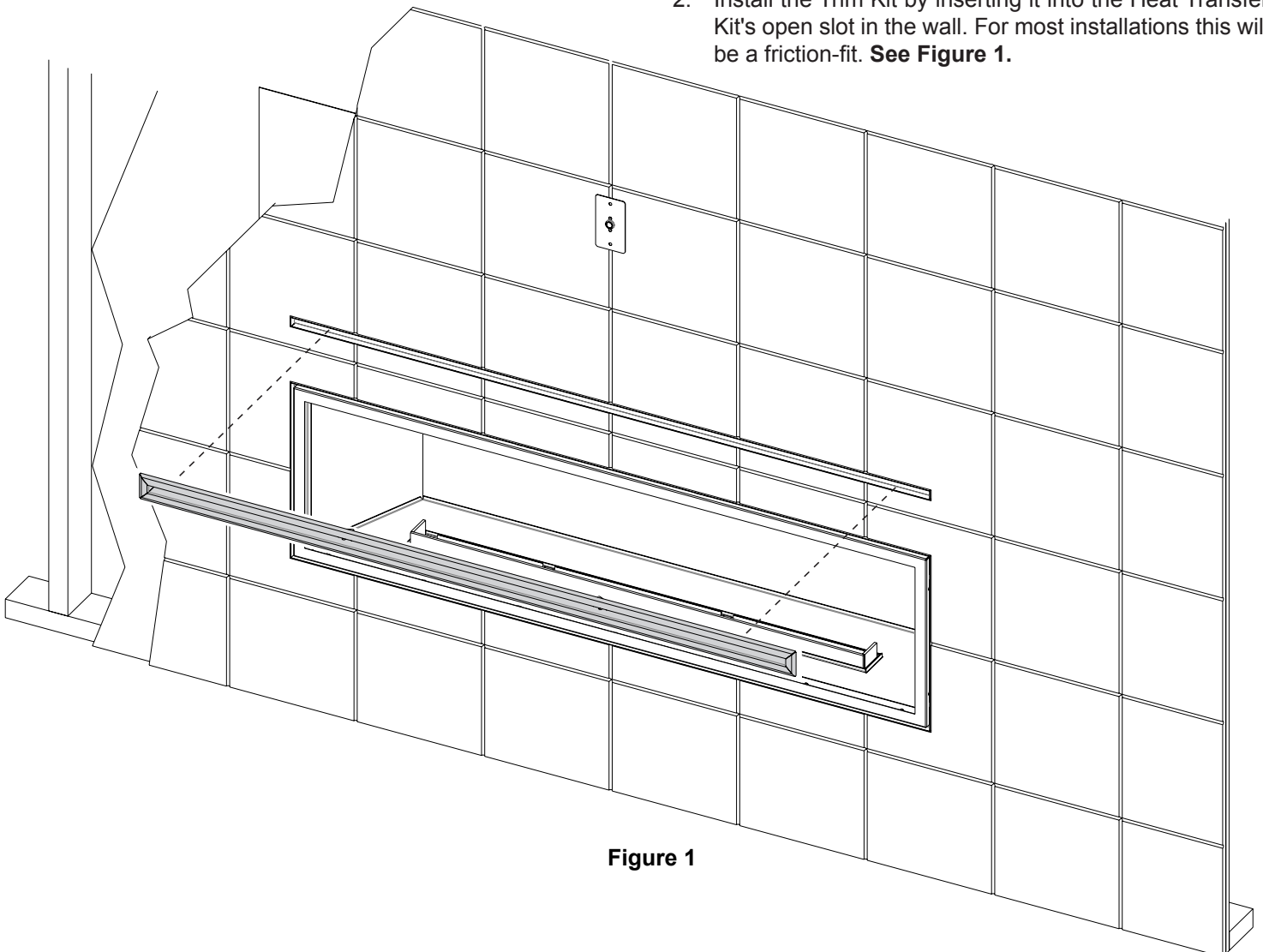


Figure 1

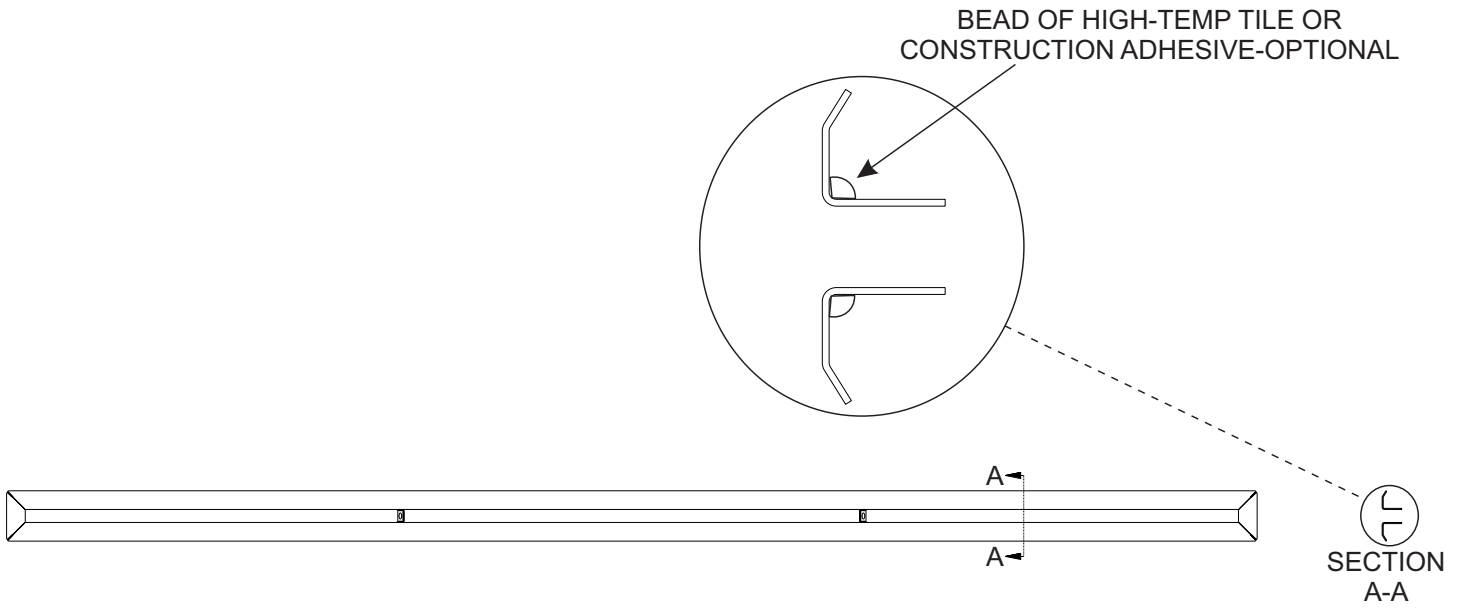
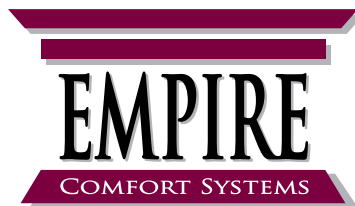


Figure 2



SINCE 1932

[www.empirecomfort.com](http://www.empirecomfort.com)

Empire Comfort Systems Inc.  
Belleville, IL

If you have a general question  
about our products, please e-mail  
us at [info@empirecomfort.com](mailto:info@empirecomfort.com).

If you have a service or repair  
question, please contact your dealer.