



INSTALLATION MANUAL SUPPLEMENT FOR HMFATV-1

TOOLS/SUPPLIES REQUIRED FOR HMFATV

INSTALLATION:

- Electric Drill
- Step Drill Bit (for VFLB(36,48,60,72)-1 only)
- 3/16" Drill Bit
- 1-1/2" Hole Saw
- Phillips Screw Driver
- 5/16" Nut Driver
- Wall Anchors with #8 Screws (2)
- Wire Nuts (2)

HMFATV INTRODUCTION

The HMFATV Television Kit is designed to automate the operation of the HMFA Forced Air Blower, in order to protect a wall-mounted television from heat damage while the fireplace is in use. During normal operation the blower is turned on and off by a snap-disc inside the firebox. In the case of a power outage or blower failure, the fireplace will be deactivated by a wall-mounted limit switch in order to protect the television. The rheostat control included in the HMFA Forced Air Blower is not utilized.

FOR VFLB(36,48,60,72)FP(30,90)(N,P)-1, you must update the fireplace to work with the HMFATV Television Kit by following these instructions. Afterwards, follow the 42929 Installation Instructions included with the HMFA Forced Air Kit to complete the installation.

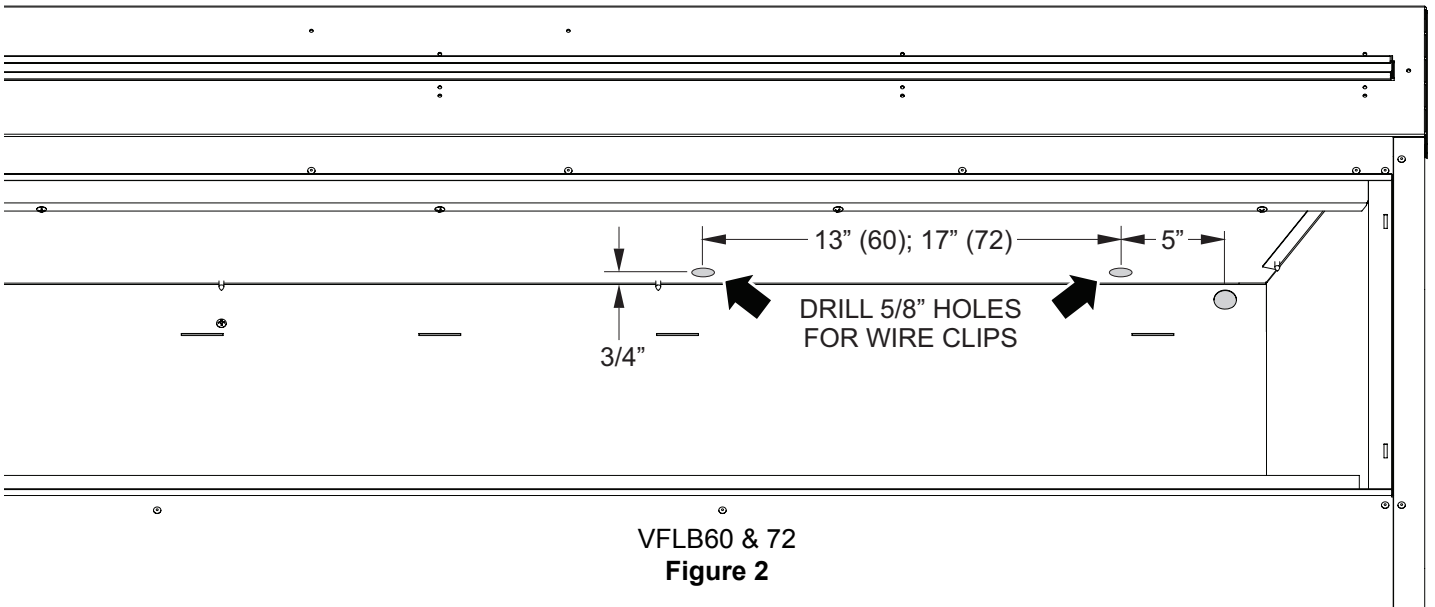
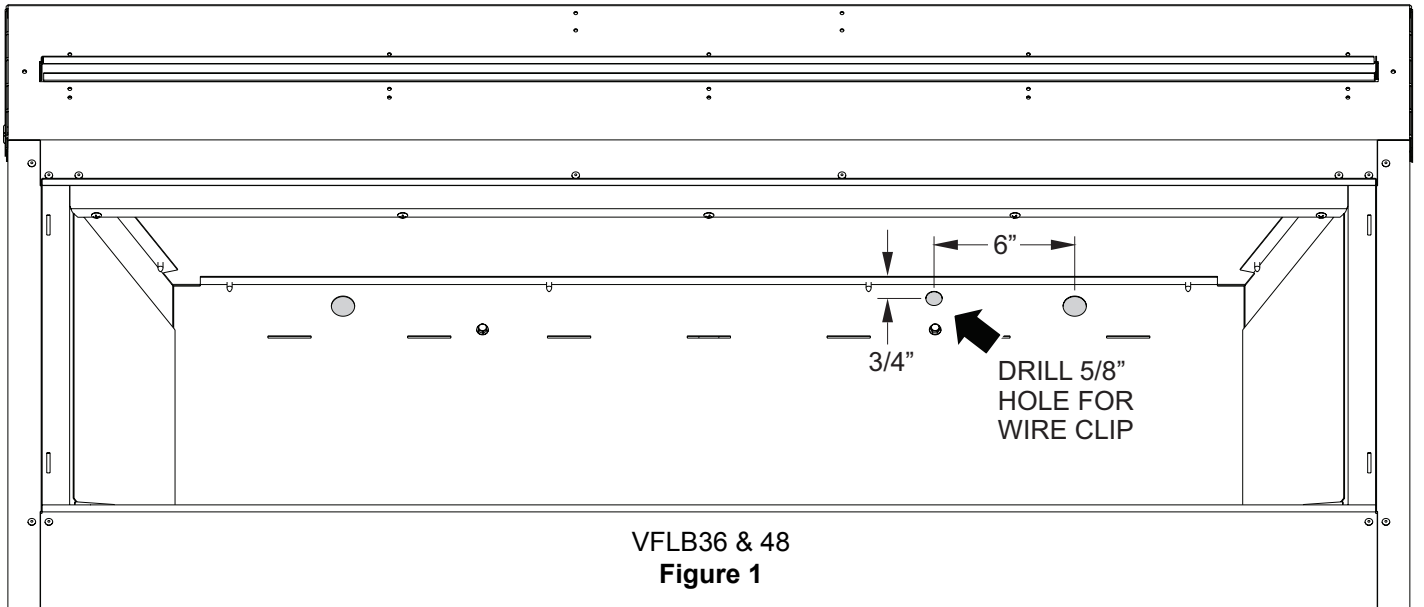
FOR VFLB(36,48,60,72)FP(30,90)(N,P)-2, disregard the steps below and follow the 42929 Installation Instructions included with the HMFA Forced Air Kit to complete the installation.

TOOLS REQUIRED TO UPDATE FIREPLACE:

- Phillips Screwdriver
- Electric Drill
- Step Drill Bit (for 5/8" hole)

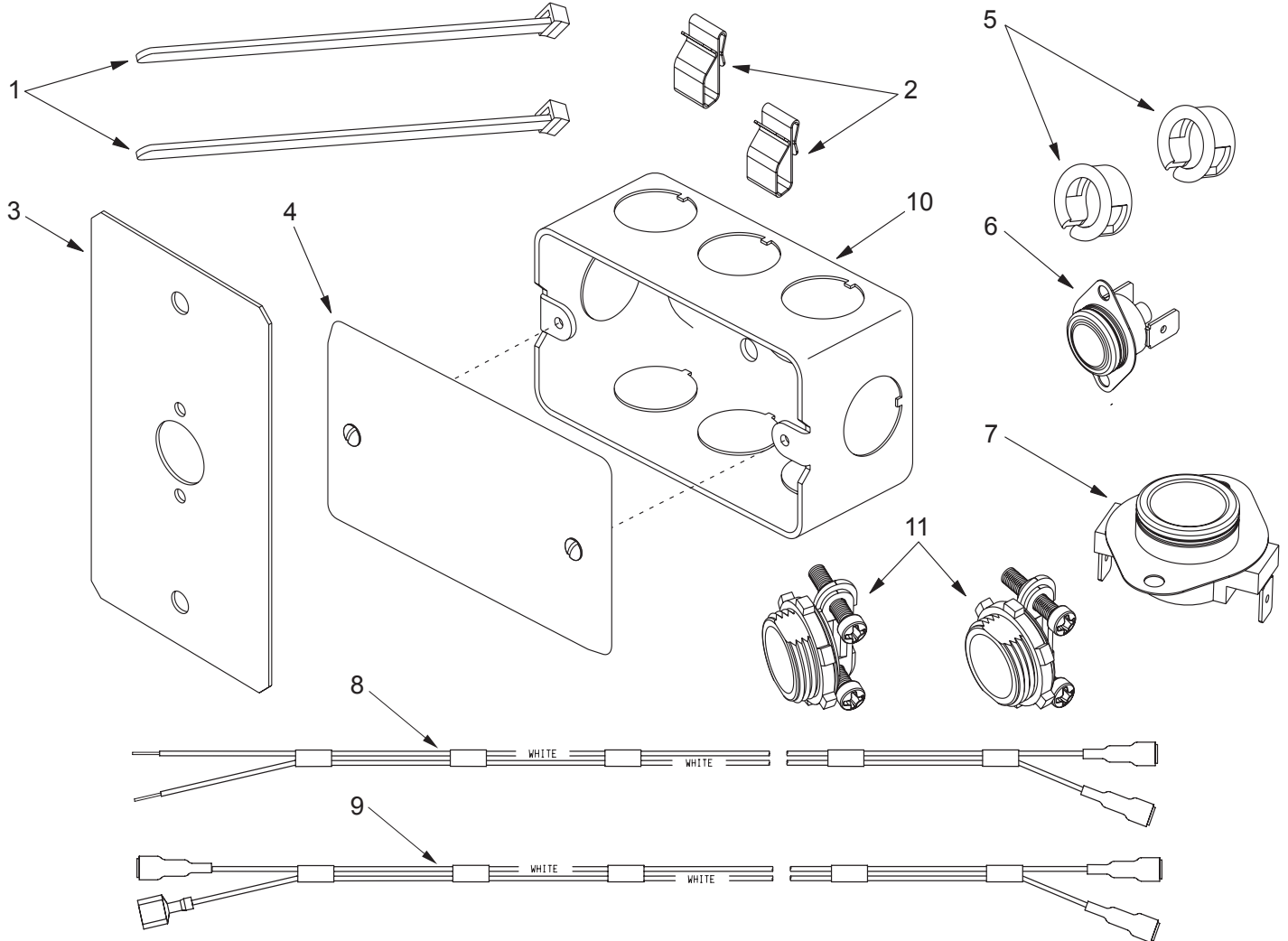
INSTALLATION

1. Remove Screen Frame Assembly.
2. Remove screws from leading edge of Firebox Top.
3. Remove Firebox Top.
4. For VFLB(36,48)-1, drill one 5/8" hole on Firebox Back Wall as shown in **Figure 1**. For VFLB(60,72)-1, drill two 5/8" holes on Firebox Outer Top as shown in **Figure 2**.
5. Follow the 42929 Installation Instructions included with the HMFA Forced Air Kit to complete the installation.



HMFATV-1 PARTS LIST			
Index Number	Part Number	Description	Quantity
N/S	N/A	Nut, 10-24	2
N/S	N/A	Screw, 10-24 X 3/4"	2
N/S	N/A	Screw, 4-40 X 3/4"	2
N/S	N/A	Nut, 4-40	2
1	R1148	Zip Tie	4
2	R1569	Wire Clip	2
3	42862	Limit Switch Plate	1
4	R11243	Cover Plate, Plain	1
5	R1536	Wire Bushing, 5/8"	2
6	R13268	Limit Switch, 150 Degree	1
7	R6176	Switch, Fan Control	1
8	R13269	Wire Harness, Switch On	1
9	R13270	Wire Harness, Limit, Off	1
10	R3490	Junction Box	1
11	R7571	Connector, 3/8" Romex	2

N/S = Not Shown, N/A = Not Applicable





SINCE 1932

www.empirecomfort.com

Empire Comfort Systems Inc.
Belleville, IL

If you have a general question
about our products, please e-mail
us at info@empirecomfort.com.

If you have a service or repair
question, please contact your dealer.