

# MAJESTIC

## Meridian 42

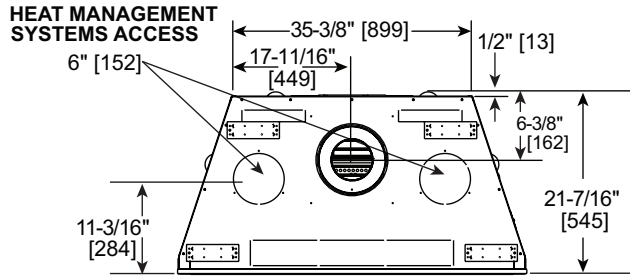
Direct Vent Gas Fireplace

Scan QR code for installation manual for final dimensions and requirements.

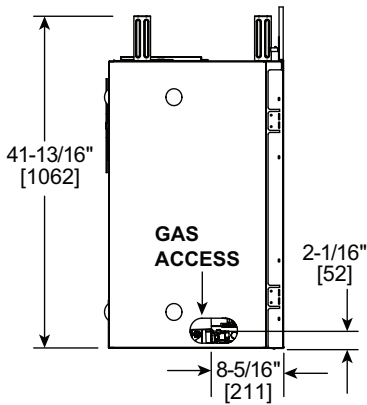


ACTUAL DIMENSIONS	FRONT WIDTH	HEIGHT	DEPTH	GLASS SIZE	BTU/HOUR INPUT
	48-1/16" [1221]	42-7/8" [1089]	21-7/16" [545]	41-1/4" x 26-11/16" [1048 X 678]	19,000 - 35,000 BTUs (NG) 17,000 - 34,000 BTUs (LP)

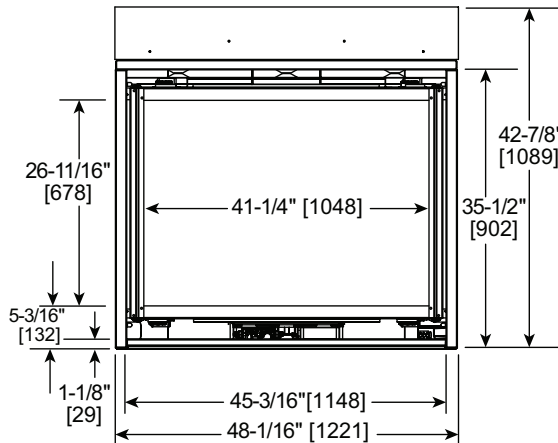
**TOP VIEW**



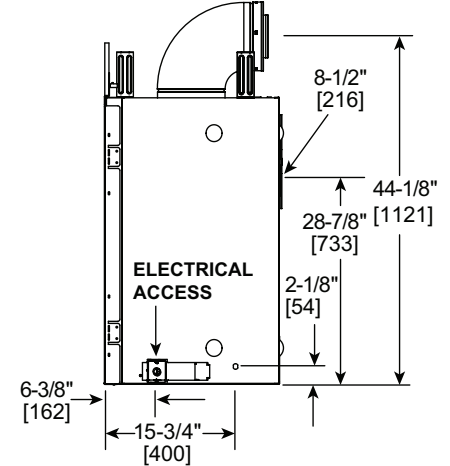
**LEFT SIDE**



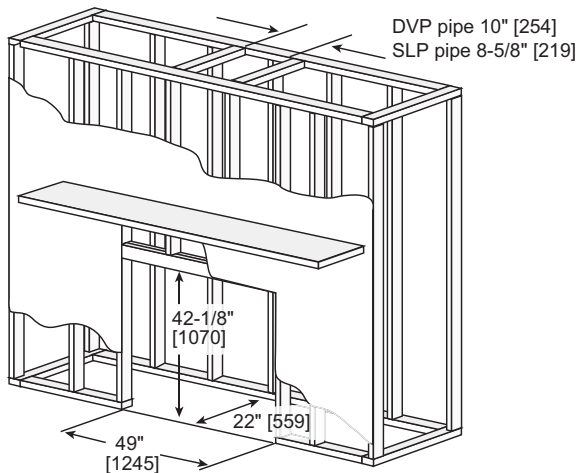
**FRONT VIEW**



**RIGHT SIDE**



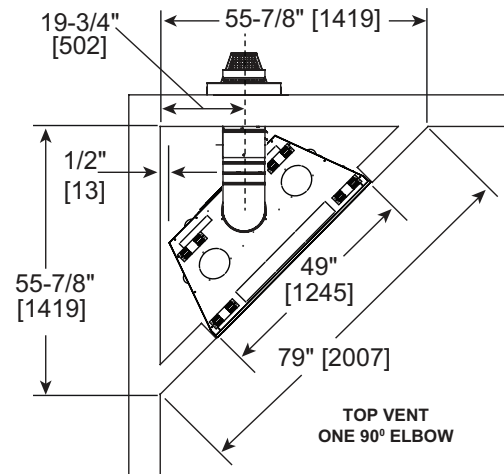
FRAMING DIMENSIONS	FRONT WIDTH	HEIGHT	DEPTH	WEIGHT
	49" [1245]	42-1/8" [1070]	22" [559]	194 LBS [88 KGS]



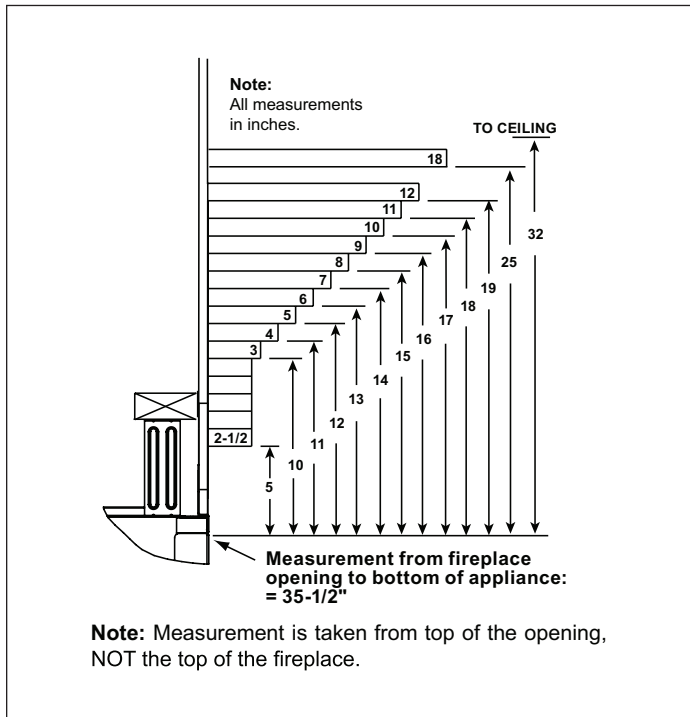
Adjust framing dimensions for interior chase sheathing (such as sheetrock)

**BASIC CORNER INSTALLATION**

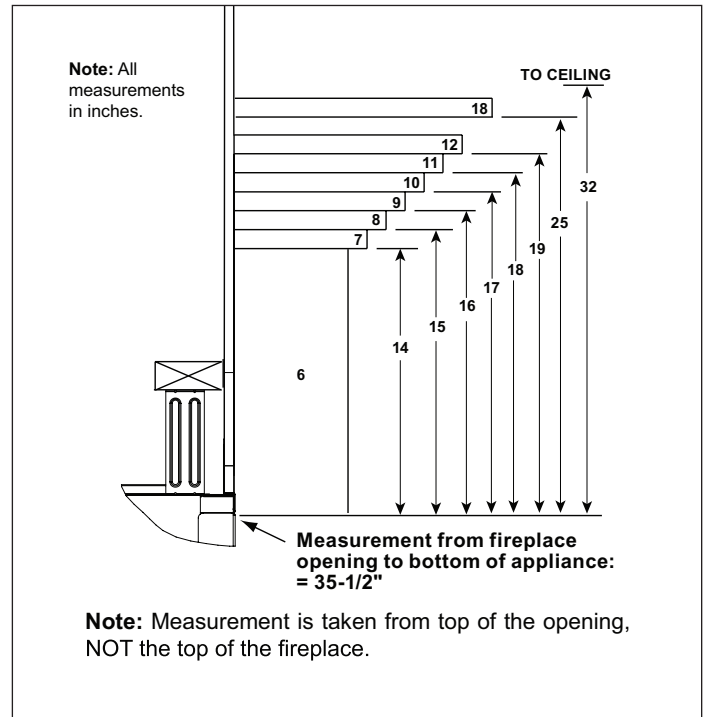
Reference install manual for additional venting scenarios



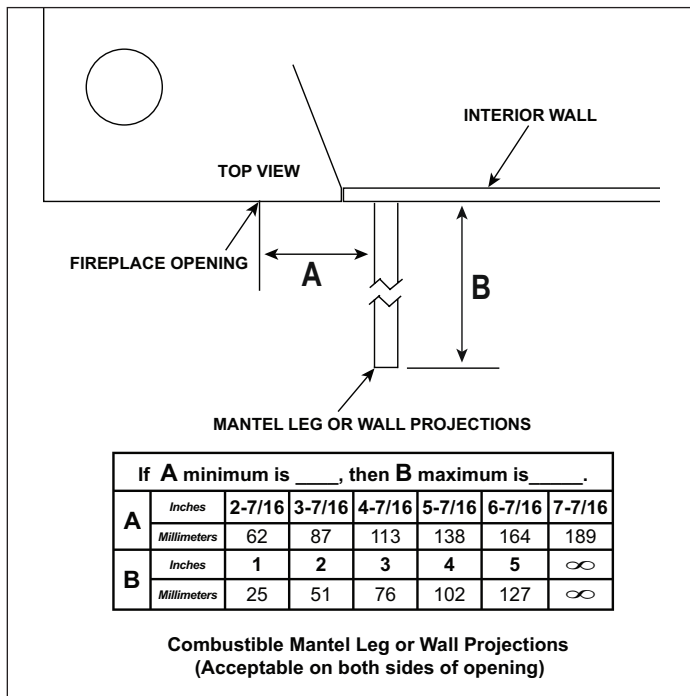
**COMBUSTIBLE MANTEL PROJECTIONS**



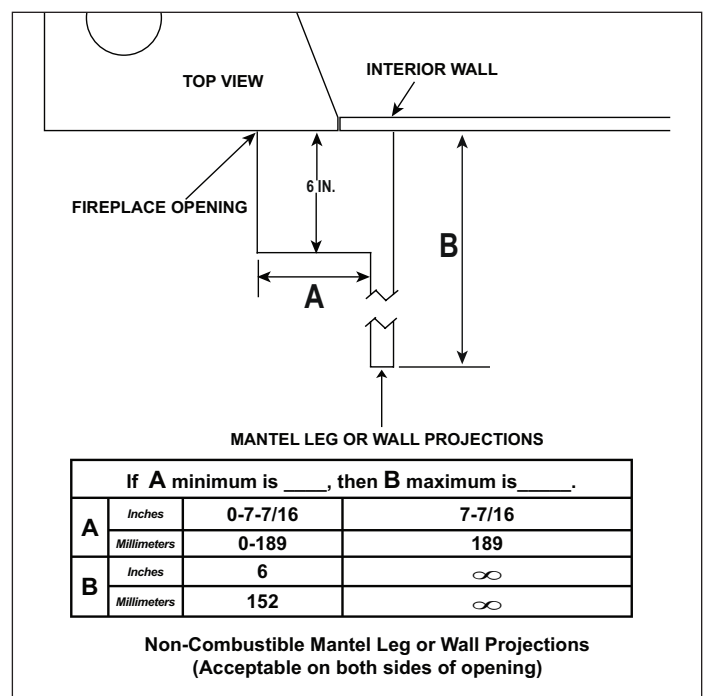
**NON-COMBUSTIBLE MANTEL PROJECTIONS**



**COMBUSTIBLE MANTEL LEGS OR WALL PROJECTIONS**

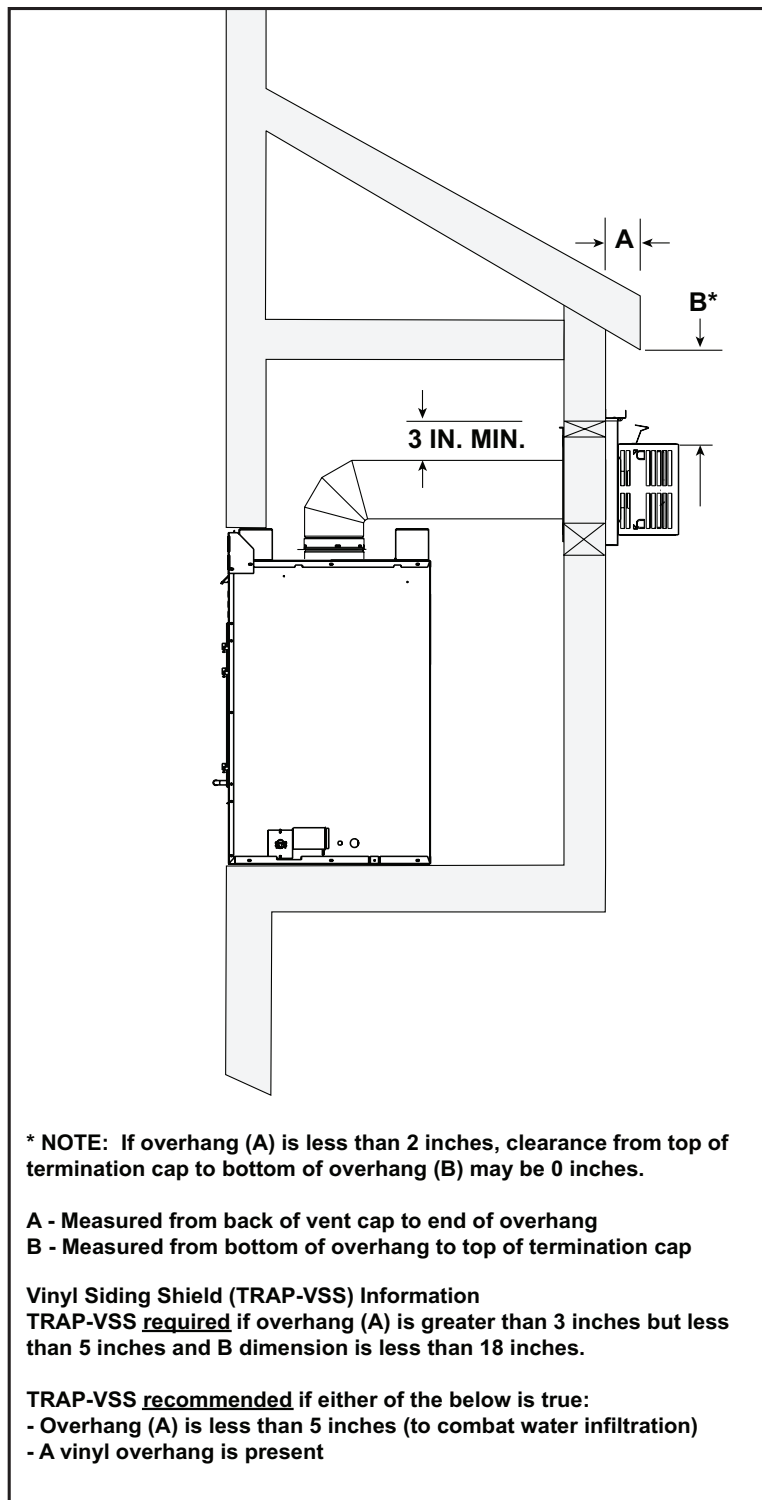


**NON-COMBUSTIBLE MANTEL LEGS OR WALL PROJECTIONS**

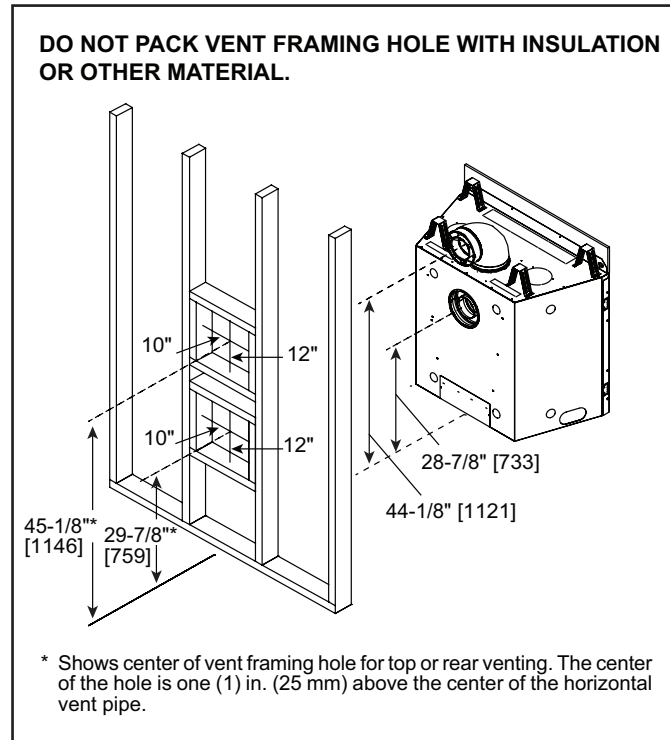


If using heat management please refer to the fireplace installation manual for framing guidelines and reduced mantel clearances. Additional information on venting, TV clearances, finishing requirements, fronts, etc can be found in the installation and owner's manual

**EXTERIOR CHASE MINIMUM HEIGHT REQUIREMENTS**



**WALL PENETRATION**



PRODUCT LISTING CODES	
US	ANSI Z21.88-2019
CAN	CSA 2.33-2019
US LISTED	UL307B

Product information provided is not complete and is subject to change without notice. Product installation must adhere strictly to instructions accompanying product to avoid risk of fire and potential injury.

# MAJESTIC

Majestic — A Brand of Hearth & Home Technologies  
 7571 215th Street West | Lakeville, MN 55044  
 877-486-9123 | majesticproducts.com | majesticproducts.ca

