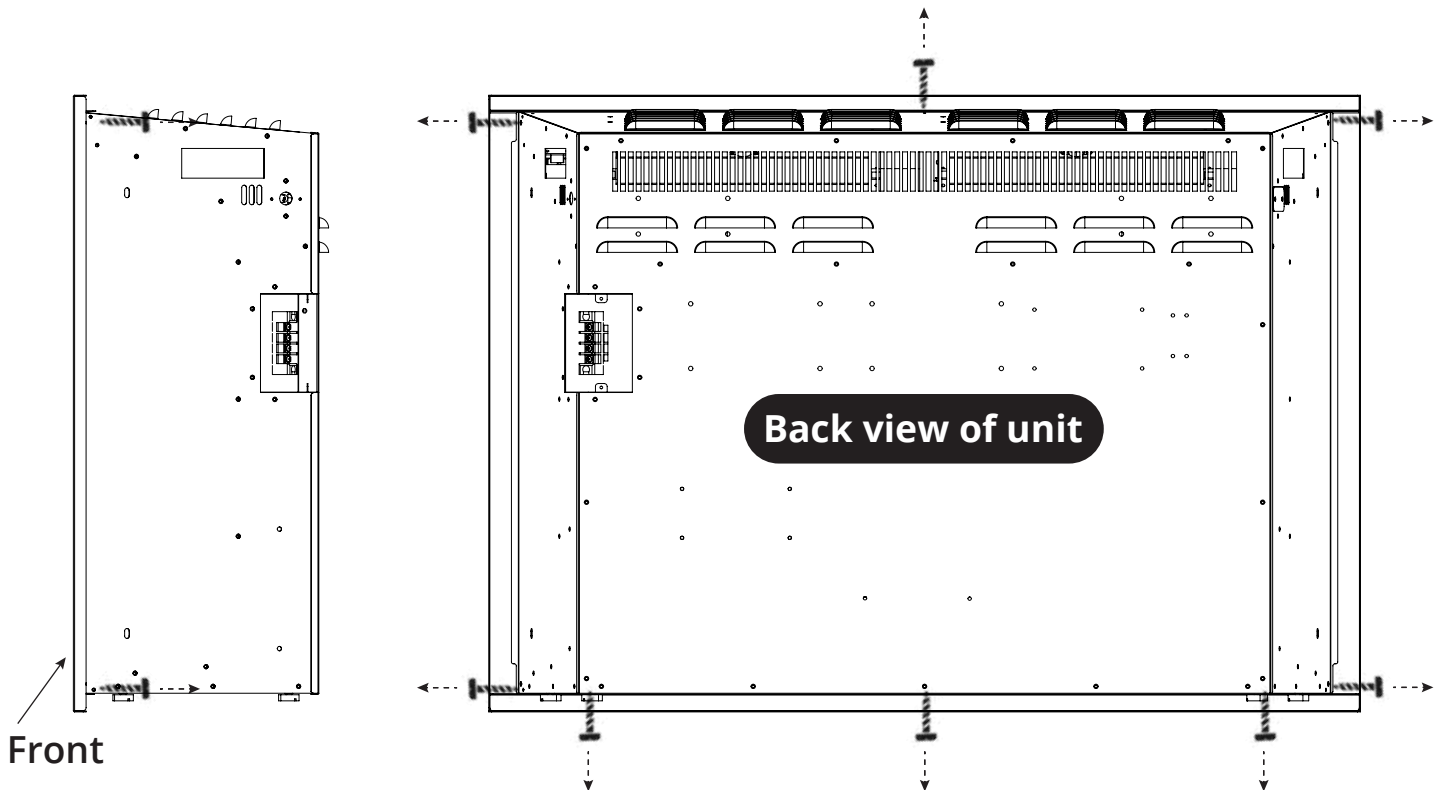


Orion® Traditional optional surround installation instructions

Remove the existing Orion® Traditional trim



1

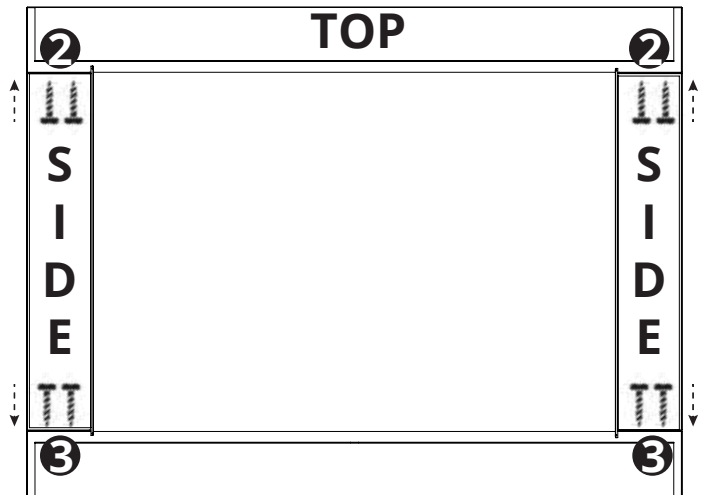
Step 1 - From the rear of the fireplace, remove 8 phillips head screws from perimeter. Use a P2 phillips head screwdriver. (Save screws for reuse)

For ease of trim removal and surround install, lay fireplace on its back surface.

Install the new Orion® Traditional optional surround

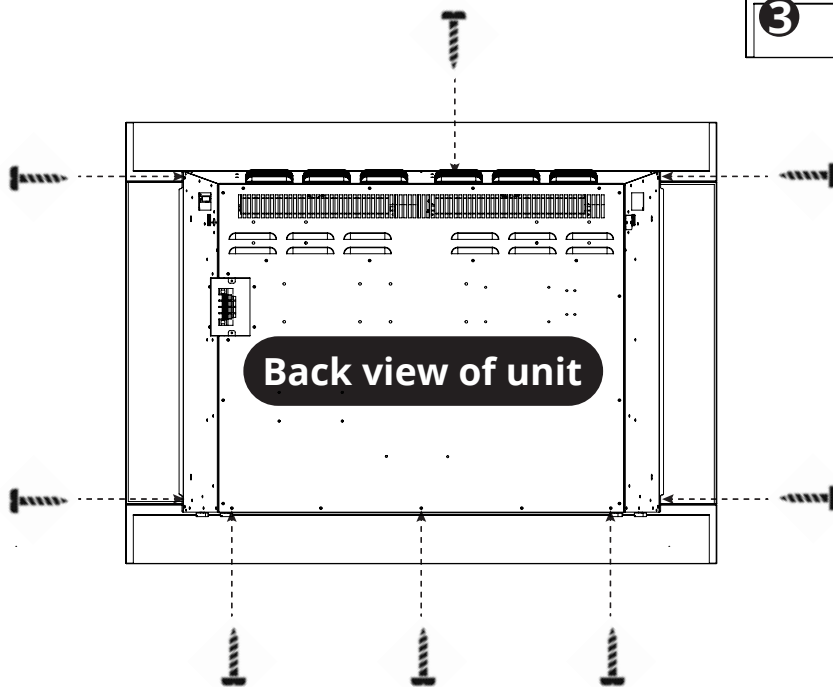
2 Step 2 - Put the surround kit face down on a soft towel or cloth. Install both side surround pieces to the top surround piece using supplied screw.

3 Step 3 - Install bottom surround to the two side pieces using supplied screws.

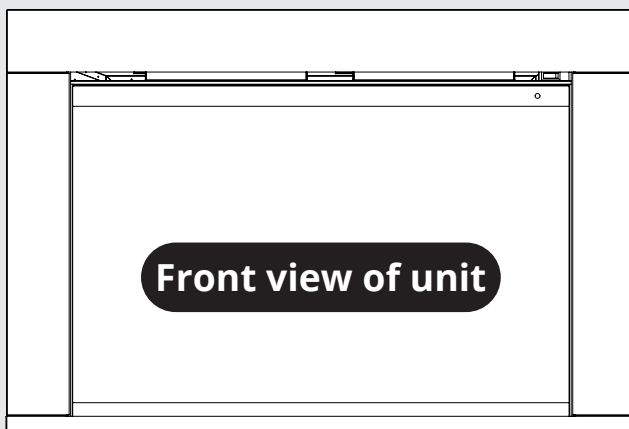


4 Step 4 - Install surround assembly to fireplace using screws from step 1 (8 screws total).

NOTE: Surround installs inside viewing area.



For ease of surround removal and install, lay fireplace on its back surface.



If thin surround on bottom is desired, attach as noted

