



FORUM 55"

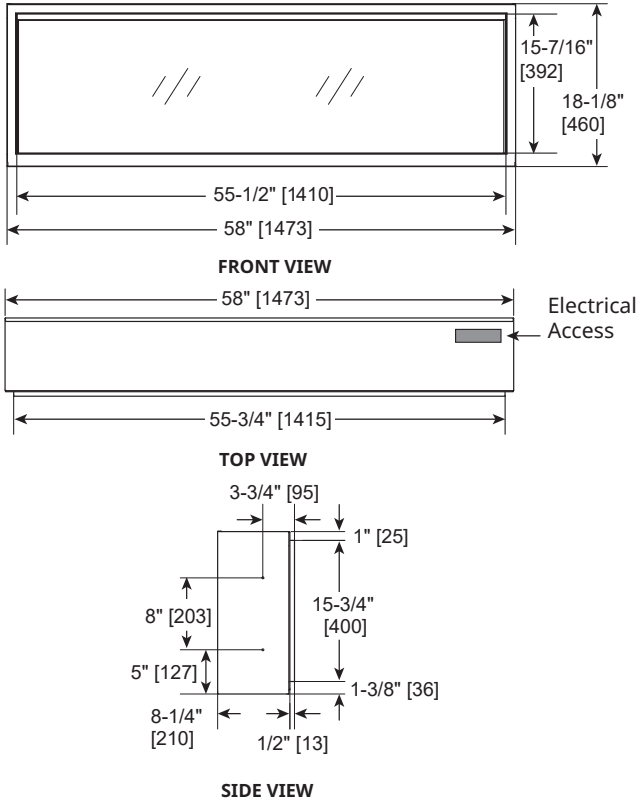
Outdoor Electric Fireplace

Scan QR code for installation manual for final dimensions and requirements.

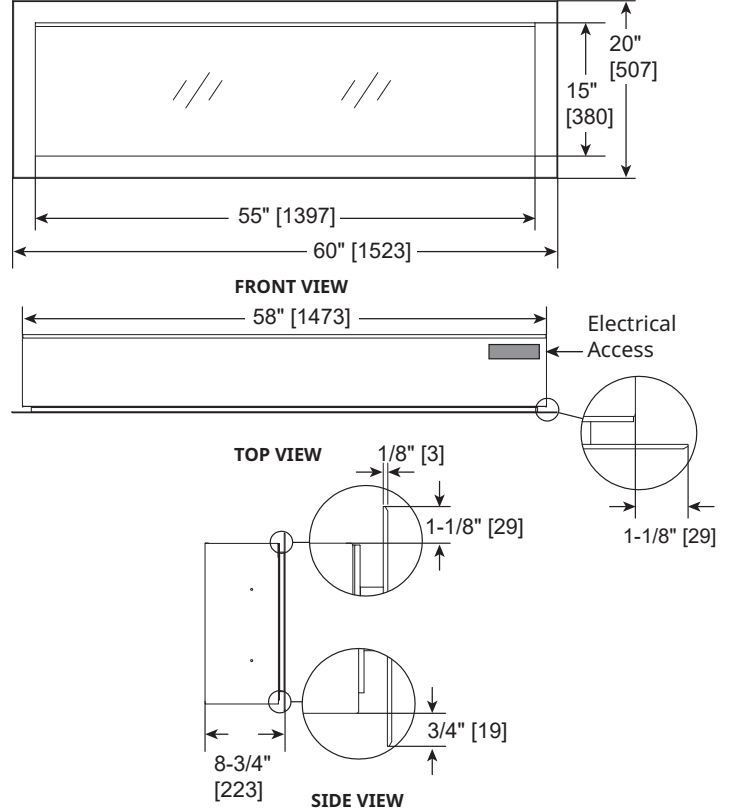


ACTUAL DIMENSIONS	WIDTH	HEIGHT	DEPTH	GLASS SIZE
SF-OD55	58" [1473]	18-1/8" [460]	8-1/4" [210]	55-1/2" x 15-7/16" [1410 x 392]

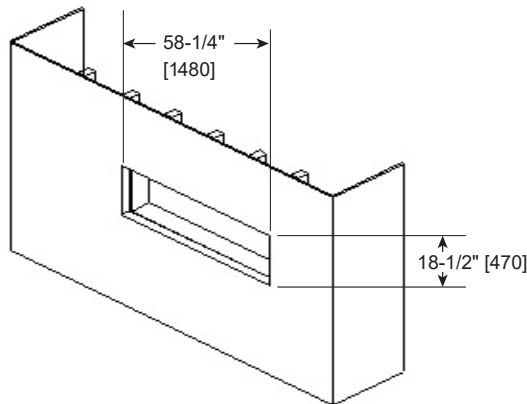
BUILT-IN (frameless look without front)



RECESSED (with self-trimming front)



FRAMING DIMENSIONS	WIDTH	HEIGHT	DEPTH
	58-1/4" [1480]	18-1/2" [470]	9" [229]



Note: Reference instruction manual for complete installation guidelines.

Electrical Connection Requirements:
 This Appliance ships with a GFCI protected power cord installed. A minimum 15 AMP, 120V/60Hz circuit is required. If hardwiring for an outdoor appliance, the circuit must be Ground Fault Circuit Interrupter (GFCI) Protected.

PRODUCT LISTING CODES	
US	CSA C22.2 No 250; UL 962
INTERNATIONAL	CSA C22.2 No 250; UL 962



SimpliFire — A Brand of Hearth & Home Technologies
 7571 215th Street West | Lakeville, MN 55044
 888-427-3973 | 952-985-6000 | fireplaces.com

Product information provided is not complete and is subject to change without notice. Product installation must adhere strictly to instructions accompanying product to avoid risk of fire and potential injury.