

VRL3000 SERIES

LINEAR VENT FREE FIREPLACES



STANDARD FEATURES

- Available in a 45" and 55" linear configured models
- HeatFlo™ kit or variable speed blower options available to fine tune your heating needs*
- Electronic ignition with battery backup provides continued operation in the event of a power outage
- 99.9% efficient for exceptional heating and lower operating costs
- Decorative surrounds available to complement drywall finished applications
- Standard black bezel and barrier screen
- Black painted interior standard (optional porcelain liner available)
- Platinum crushed glass media included with several optional colors available to customize the look
- Optional driftwood logs and river rocks are a perfect addition for a transitional design
- Mood enhancing floor lighting with six distinctive settings
- Multi-function remote included (IPI/CPI, thermostat, flame height, blower, lighting)
- 20 year limited warranty

* HeatFlo Kit and Blower Kit options may not be installed in the same appliance

superiorfireplaces.us.com

LINER



Black Porcelain Interior (Standard)



Reflective Black Glass Liner

MEDIA



Platinum Crushed Glass (Standard)



Refl. Blue Crushed Glass



Refl. Black Crushed Glass



High-Definition Driftwood Log Sets



River Rock Assorted Set

SURROUNDS



Black Surround



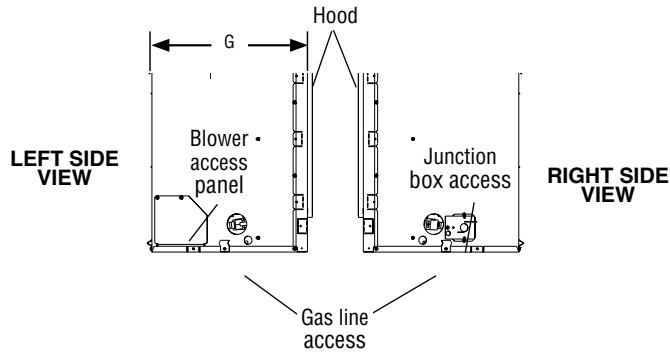
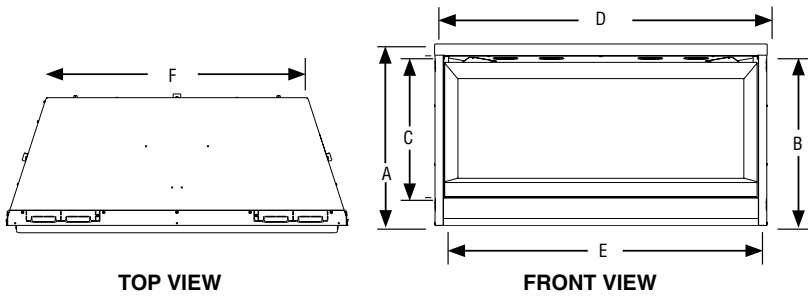
Stainless Surround

REMOTE



ProFlame II Remote

APPLIANCE SPECIFICATIONS



VRL3000

MODEL	A	B	C	D	E	F	G
45" MODELS	24-3/4"	23-1/4"	19-3/8"	45-1/2"	42-7/8"	34-3/4"	17"
55" MODELS	24-3/4"	23-1/4"	19-3/8"	55-1/2"	52-7/8"	44-3/4"	17"

FIREPLACE BTU OPERATING RANGE

MODEL	FUEL	BTU/HR	AFUE
VRL3045	NG	23,000-18,000	99.9%
VRL3045	LP	21,000-17,000	99.9%
VRL3055	NG	28,000-22,000	99.9%
VRL3055	LP	27,000-21,000	99.9%

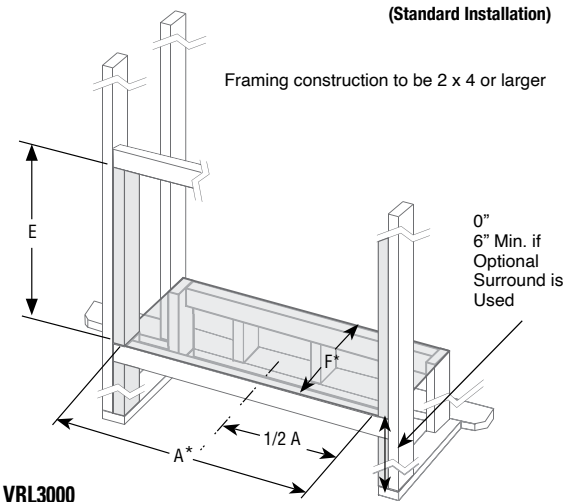
IMPORTANT NOTES:

As with any fireplace, this appliance is extremely hot during operation. Read and understand all operating instructions before using this appliance. For further information, consult your dealer. Local conditions, such as elevation and choice of fuel will affect overall appearance of the fire and heating performance. Performance can also vary with home design and insulation, ceiling height, accessories chosen and appliance location. Diagrams, illustrations and photographs are not to scale — consult installation instructions. Product designs, materials, dimensions, specifications, colors and prices are subject to change or discontinuance without notice.

On the Cover: VRL3055 fireplace with platinum crushed glass media, optional black porcelain liner, optional driftwood logs, and optional river rocks



FRAMING SPECIFICATIONS



VRL3000

MODEL	A*	B	C	D	E	F*
45" MODELS	45-7/8"	70-3/8"	49-3/4"	35-1/4"	29"	18"
55" MODELS	55-7/8"	82-3/4"	58-1/2"	41-3/8"	29"	18"

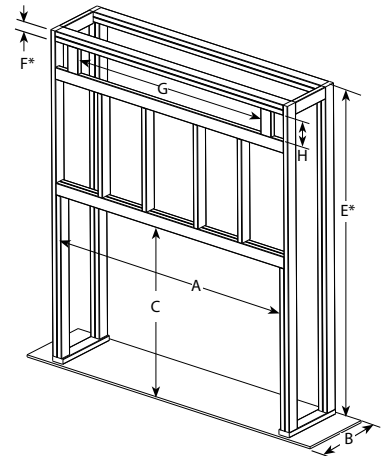
A* Minimum opening size: addition 1/8" per side is recommended
F* For flush framing installations.

NOTE: If flush framing unit, field supplied non-combustible board will need to be used.

VRL3000

	45" One Sided Framing HeatFlo Kit	55" One Sided Framing HeatFlo Kit
A	45-7/8"	55-7/8"
B	18"	18"
C	29"	29"
E*	81-1/2"	81-1/2"
F*	3-1/2"	3-1/2"
G	43-1/2"	53-1/2"
H	5-1/8"	5-1/8"

Flush Wall Framing With HeatFlo™ Kit



E* = Minimum height from appliance base to ceiling
F* = Minimum distance from framed opening to ceiling

Refer to Spec Sheet for complete recessed wall pocket applications and instructions.

