

INSTALLATION INSTRUCTIONS FOR SEE-THRU CONVERSION KITS

[FOR USE WITH 48" ASTRIA ALLUME, ALLUME DLX, OMEGA DLX AND SUPERIOR DRL4000/6000, VRL6000 SERIES FIREPLACES LISTED IN TABLE 1]

KIT CONTENTS

- 4 ea. Nailing Flange side
- 2 ea. Tile Stop L/R
- 1 ea. Sight Obstructor
- 1 ea. Controls Access Cover
- 1 ea. Fireboard Assembly
- 2 ea. Header Standoff
- 1 ea. Barrier
- 6 ea. #8x1/2 Phillips Head Screws
- 16 ea. #10 Hex Head Screws
- 28 ea. #8 Phillips Head Screw Bugle Drywall Screws

TOOLS NEEDED

- (NOT SUPPLIED)
- Electric Drill/Driver Gun
 - Phillips Screwdriver Bits
 - 5/16 Nut Driver
 - Flathead Screwdriver

Direct Vent Models Only

- 1 ea. Header Shield
- 1 ea. Pipe Shield
- 1 ea. Glass Door

Vent Free Models Only

- 1 ea. Bezel Assembly (Upper, Left, and Right Parts)
- 1 ea. Draft Shield Glass

SEE-THRU KITS			
Fireplace	Cat. No.	Model	Description
DRL4048TEN	F4853	STK-DVLIN48	Kit, DV Linear 48 See-Thru
DRL6048TEN			
ALLUME48TEN			
ALLUMEDLX48TEN			
VRL6048ZEN	F4854	STK-VFLIN48	Kit, VF Linear 48 See-Thru
VRL6048ZEP			
OMEGADLX48ZEN			
OMEGADLX48ZEP			

Table 1 See Figure 1

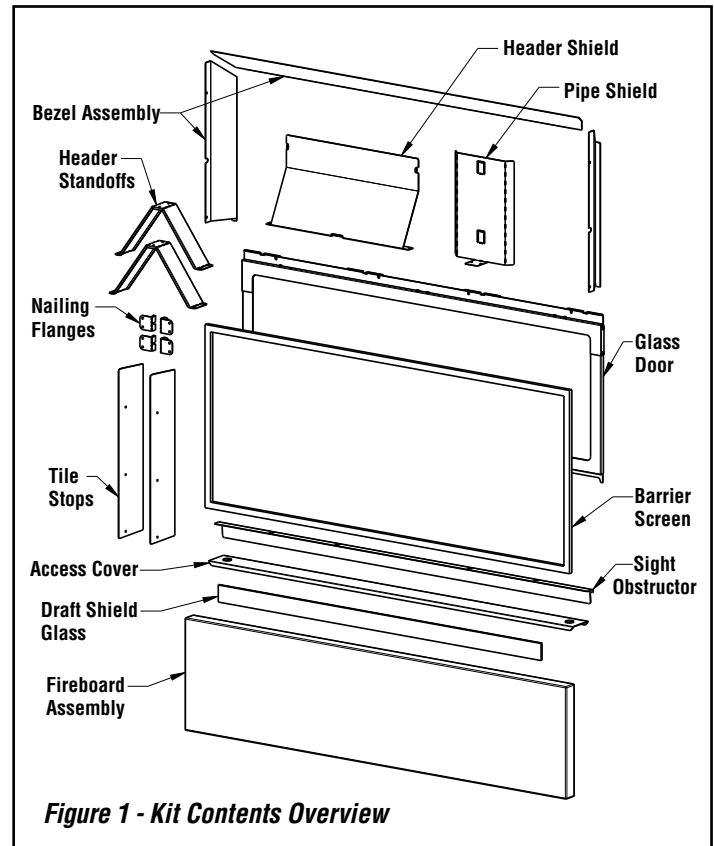


Figure 1 - Kit Contents Overview

GENERAL INFORMATION

The See-Thru Kit is designed to upgrade the fireplace to a See-Thru application.

When Installing this kit, reference the framing dimensions for the See-Thru application and follow the framing instructions shown on the fireplace installation Instructions. Follow all other installation requirements for the fireplace as detailed in the installation manual.

IMPORTANT! CONVERT THE FIREPLACE TO A SEE-THRU APPLICATION BEFORE INSTALLING INTO THE FRAMING.

REFER TO INSTALLATION INSTRUCTIONS AND CARE AND OPERATIONS MANUAL (IICO) FOR FRAMING DETAILS BEFORE INSTALLING THIS KIT.

ALL WARNINGS AND PRECAUTIONS IN THE INSTALLATION AND OPERATION MANUAL PROVIDED WITH THE FIREPLACE APPLY TO THESE INSTRUCTIONS.

INSTALLER: Leave this manual with the appliance
CONSUMER: Retain this manual for future reference

IMPORTANT NOTICE
BLOWER USE IS NOT COMPATIBLE WITH THE OPTIONAL INDOOR SEE-THRU KIT.

WARNING
This kit must be installed by a qualified installer, service agency, or gas supplier at the time of the fireplace installation. These instructions must be used in conjunction with the installation and operation manual provided with the fireplace.

THE FOLLOWING INSTRUCTIONS APPLY TO BOTH THE DIRECT VENT AND VENT FREE FIREPLACES UNTIL NOTED.

Preparing Direct Vent and Vent Free Fireplaces for See-Thru Application

1. Remove the rear outer wrapper from fireplace (see **Figure 2**).
2. Locate the inner heatshield (see **Figure 3**). Loosen (DO NOT REMOVE) the top two (2) center mounting screws. Remove the remaining four (4) mounting screws. Slide the top of the heatshield rearward, then upward to remove. Re-tighten the top two (2) center screws.
3. Remove the firebox rear panel mounting screws (see **Figure 4**). Lift upward to remove the firebox rear panel (a flathead screwdriver may be necessary to pry upward using the four (4) pry points on the top of the panel). Reinstall the six (6) screws that were holding the sides of the panel.

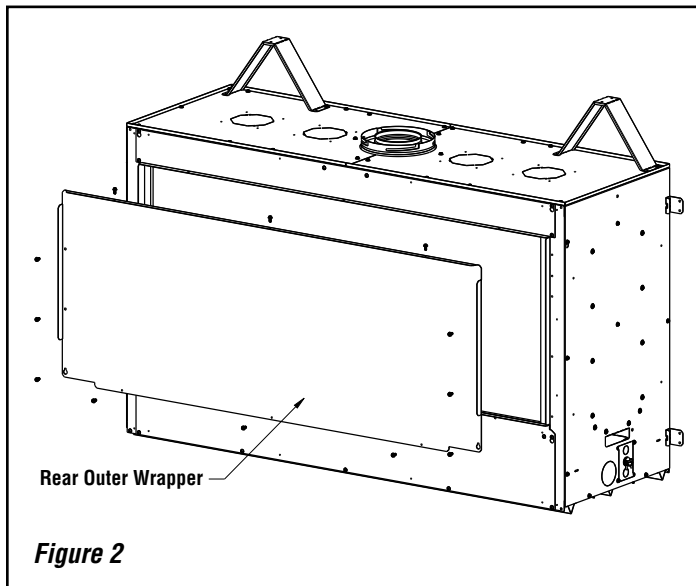


Figure 2

4. Install the header standoffs to the top of the fireplace using the supplied hex head screws (see **Figure 4**). Loosen (DO NOT REMOVE) the four (4) nailing flange mounting screws on the sides of the fireplace as shown. Slide nailing flange onto screw head and re-tighten. DO NOT fold over yet.

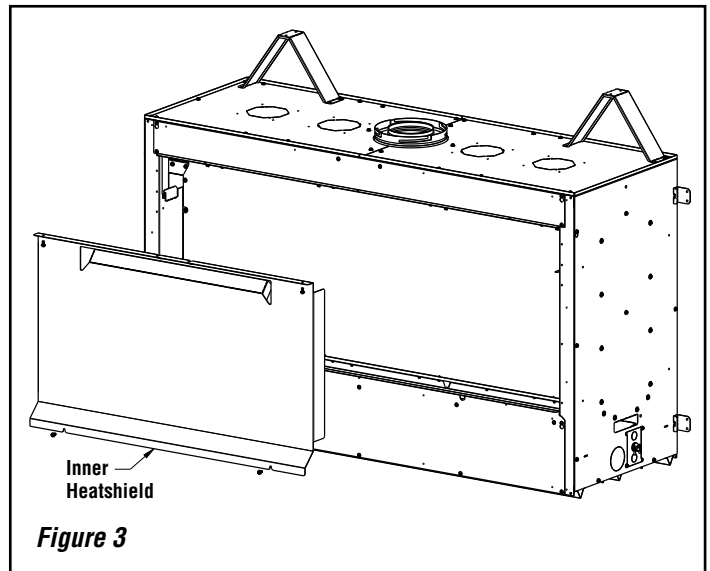


Figure 3

5. Install the fireplace into the framing cavity as described in the fireplace's Installation Instructions. Bend the rear nailing flanges against the 2"x4" jack studs and fasten in place with wood screws. **PROCEED FOR DIRECT VENT MODELS ONLY. FOR VENT FREE MODELS, PROCEED TO PAGE 4.**
6. Insert the Rear Door Assembly into the lower channel that the rear panel was removed from and fasten the top with four (4) hex head screws. Install the Pipe Shield and then the Header Shield similarly to the front with the supplied hex head screws (see **Figure 5**).

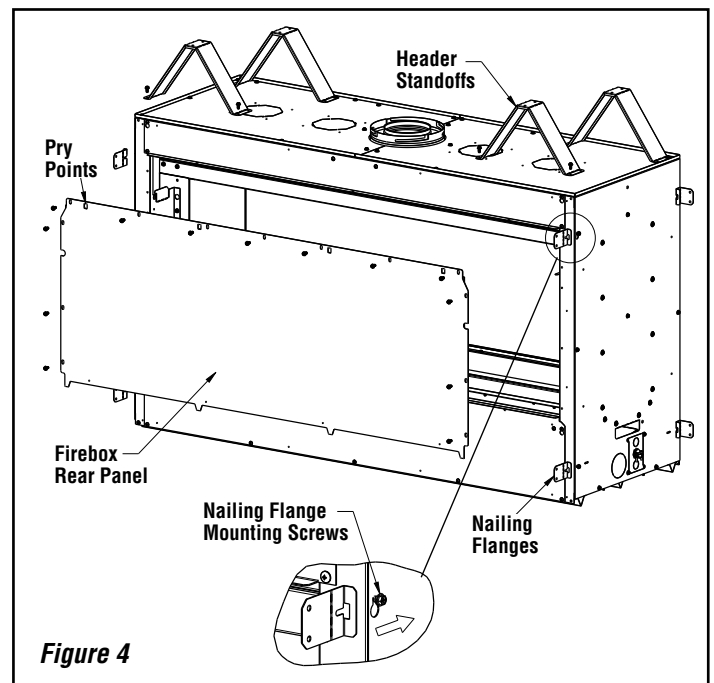


Figure 4

7. Install the Sight Obstructor to the upper heatshield just above the door assembly using four (4) hex head screws. It is keyhole slotted so the mounting screws may be pre-installed loosely, the obstructor can be placed on them, and then the screws can be tightened (see **Figure 6**).

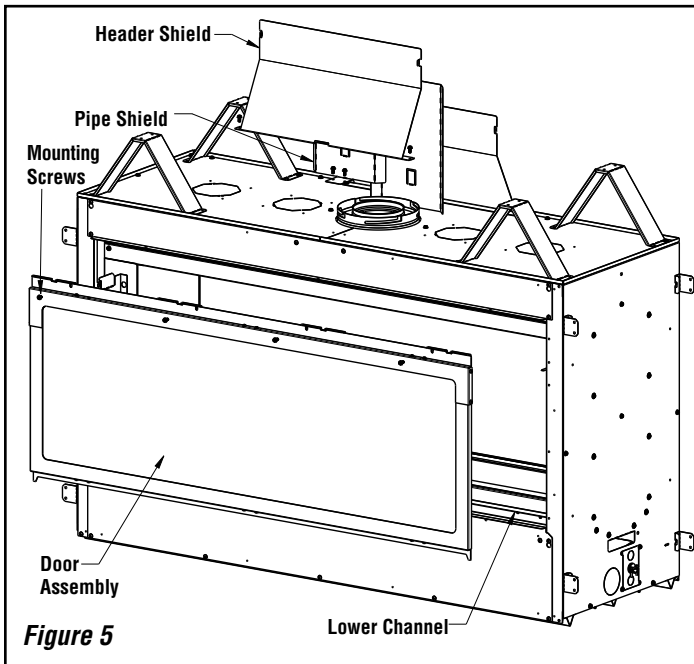


Figure 5

8. Using the supplied phillips head screws, fasten the Tile Stops to the Tile Stop Mounting Surfaces (see **Figure 6**).
9. Locate the Access Cover Support Flanges on both sides just below the side tile stops and bend them up 90° (see **Figure 7**). Place the Access Cover onto the Support Flanges.

PROCEED TO FINISHING FIREPLACE ON PAGE 5.

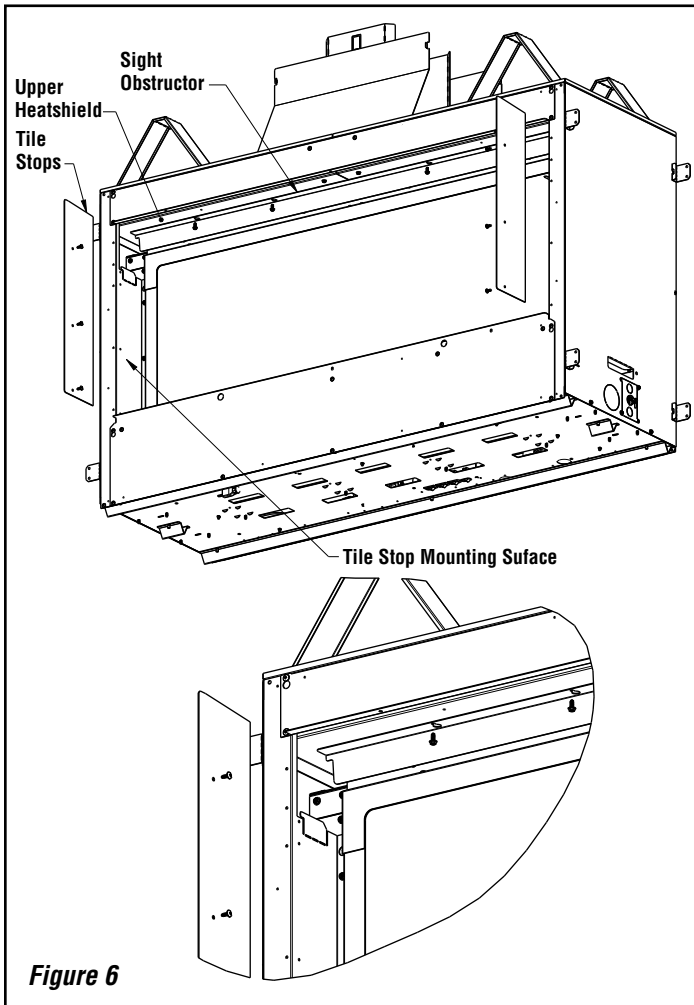


Figure 6

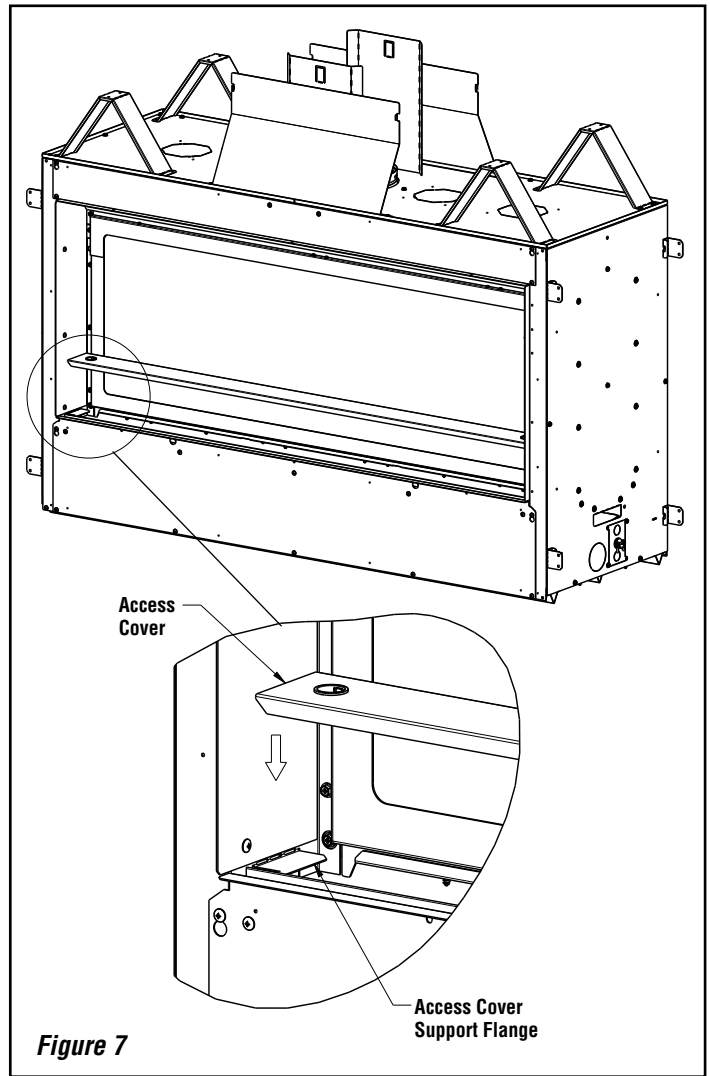


Figure 7

PROCEED FOR VENT FREE MODELS

10. Install the Sight Obstructor to the upper heatshield just above the firebox opening using four (4) hex head screws. It is keyhole slotted so the mounting screws may be pre-installed loosely, the obstructor can be placed on them, and then the screws can be tightened (see **Figure 8**).
11. Using the supplied phillips head screws, attach the Tile Stops to the Tile Stop Mounting Surfaces using the center hole only (see **Figure 8**).
12. Loosen (DO NOT REMOVE) the two (2) hex head upper bezel mounting screws. Slide the two slots on the bezel over the screw heads and tighten. Install the left and right bezel parts onto the tile stops two (2) remaining holes using phillips head screws (see **Figure 9**). **NOTE:** Side bezel parts have a locating tab on the bottom edge that fits into the lower channel on the firebox (see **Figure 10**).
13. Locate the draft shield mounting tabs and bend them upward 90° on both sides. Place draft shield glass, with the polished edge up, into the tabs centered left to right. Glass should fit snugly in a vertical position. Adjust tabs as needed to achieve proper fit (see **Figure 10**).
14. Bend the Access Cover Support Flange just below the side tile stops up 90° on both sides. Place the rear bottom edge of the Access Cover into the firebox lower channel while resting the front on the Support Flanges (see **Figure 10**).

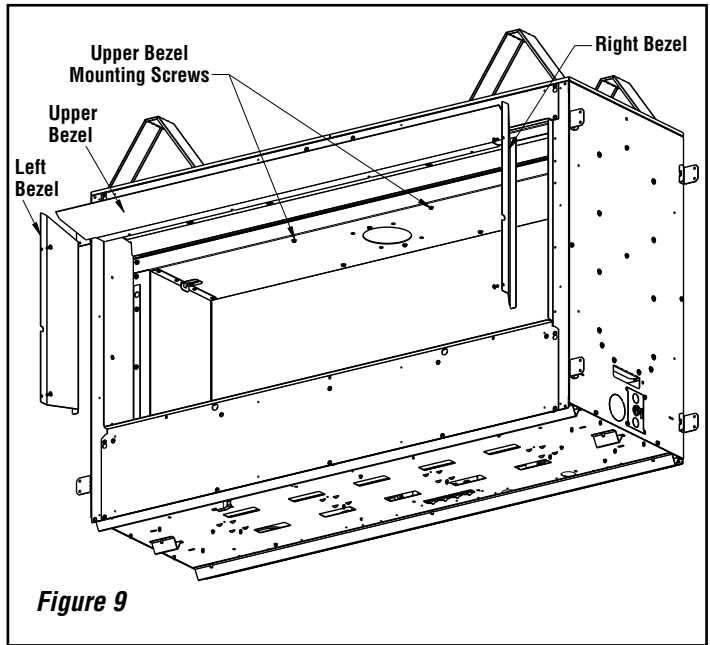


Figure 9

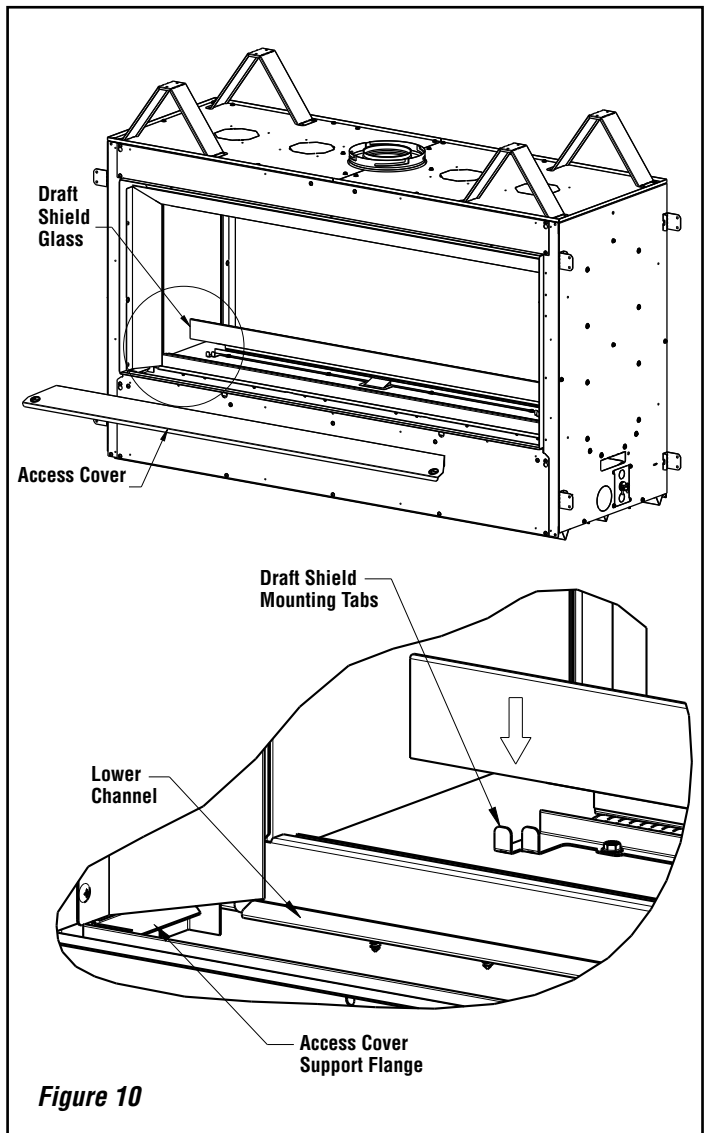


Figure 10

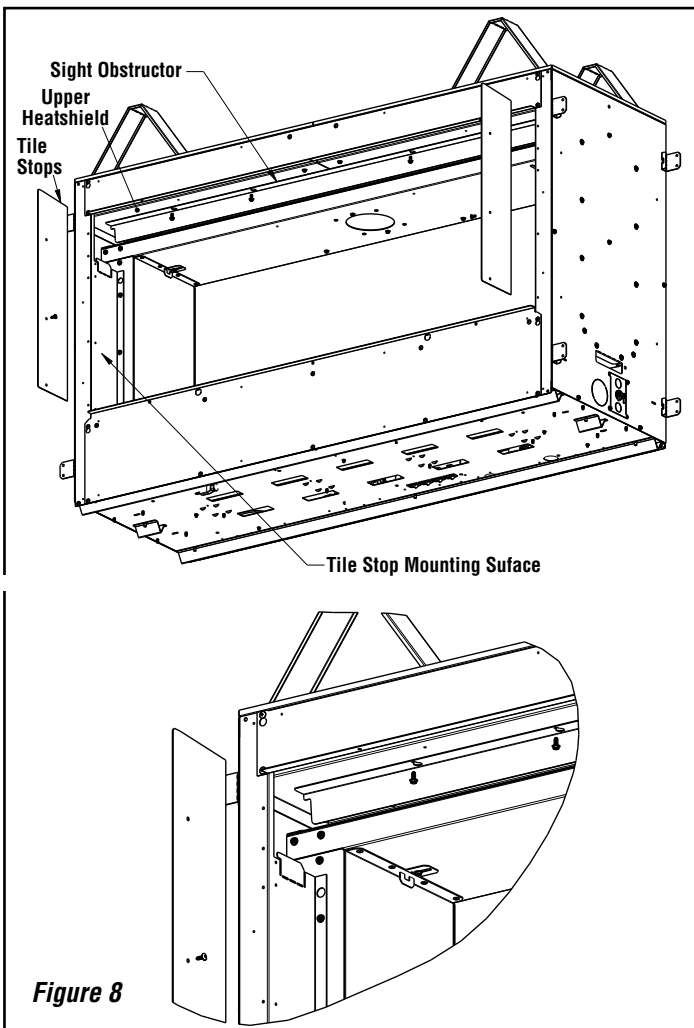


Figure 8

FINISHING FIREPLACE

The appliance is designed to mate with 1/2" wall sheathing materials such as drywall, plywood, wood composites, or non-combustible materials.

Finishing and Sealing Joints

All joints between the finished wall sheathing and the appliance must be sealed with non-combustible materials. Sealants, such as caulk or mastic used to seal the gap between the wall and the fireplace, should be rated at a minimum continuous exposure to 300 °F.

Finishing Around Opening with Gypsum Wallboard

Gypsum wallboard (drywall) joints adjacent to the fireplace opening, including the non-combustible board on the appliance, require special attention to minimize cracking. When installing gypsum wallboard around the fireplace, install the hole for the fireplace opening in a single wallboard sheet, if possible. This will minimize the joints adjacent to the fireplace opening.

Tape wall board joints around the fireplace opening with fiberglass-mesh tape. It will provide a more crack-resistant joint than paper tape. Fill, smooth and finish wall joints with chemically setting-type joint compound. It will provide a more crack-resistant joint than air-drying light-weight compound.

NOTE: NEVER install combustible material (wall finish, surround, trim, etc.) on, in front of, or overlapping any part of the fireplace front face.

NOTE: Non-combustible fireboard is provided with the fireplace. DO NOT SUBSTITUTE.

Installing Fireboard

1. Using 1" self drill bugle drywall screws (supplied), install non-combustible fireboard at bottom, sides and top of fireplace face (**See Figure 11**).
2. Apply 1/2" wall sheathing materials such as drywall, plywood, wood composites, or non-combustible materials to the rest of the wall. **NOTE:** When applying drywall, minimize number of joints to reduce potential for cracking.

NOTE: Factory supplied tile stops protrude 5/8" from unit and will allow installation of standard tile and thin set on top of the noncombustible fireboard.

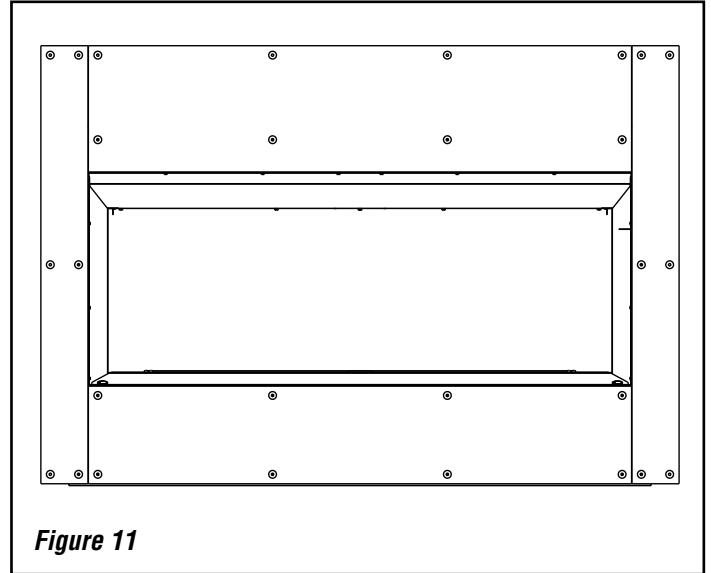


Figure 11

Innovative Hearth Products (IHP) reserves the right to make changes at any time, without notice, in design, materials, specifications, prices and also to discontinue colors, styles and products. Consult your local distributor for fireplace code information.

Printed in U.S.A. © 2022 Innovative Hearth Products
P/N 901232-00 REV. NC 11/2022



1769 East Lawrence Street • Russellville, AL 35654